



pGD

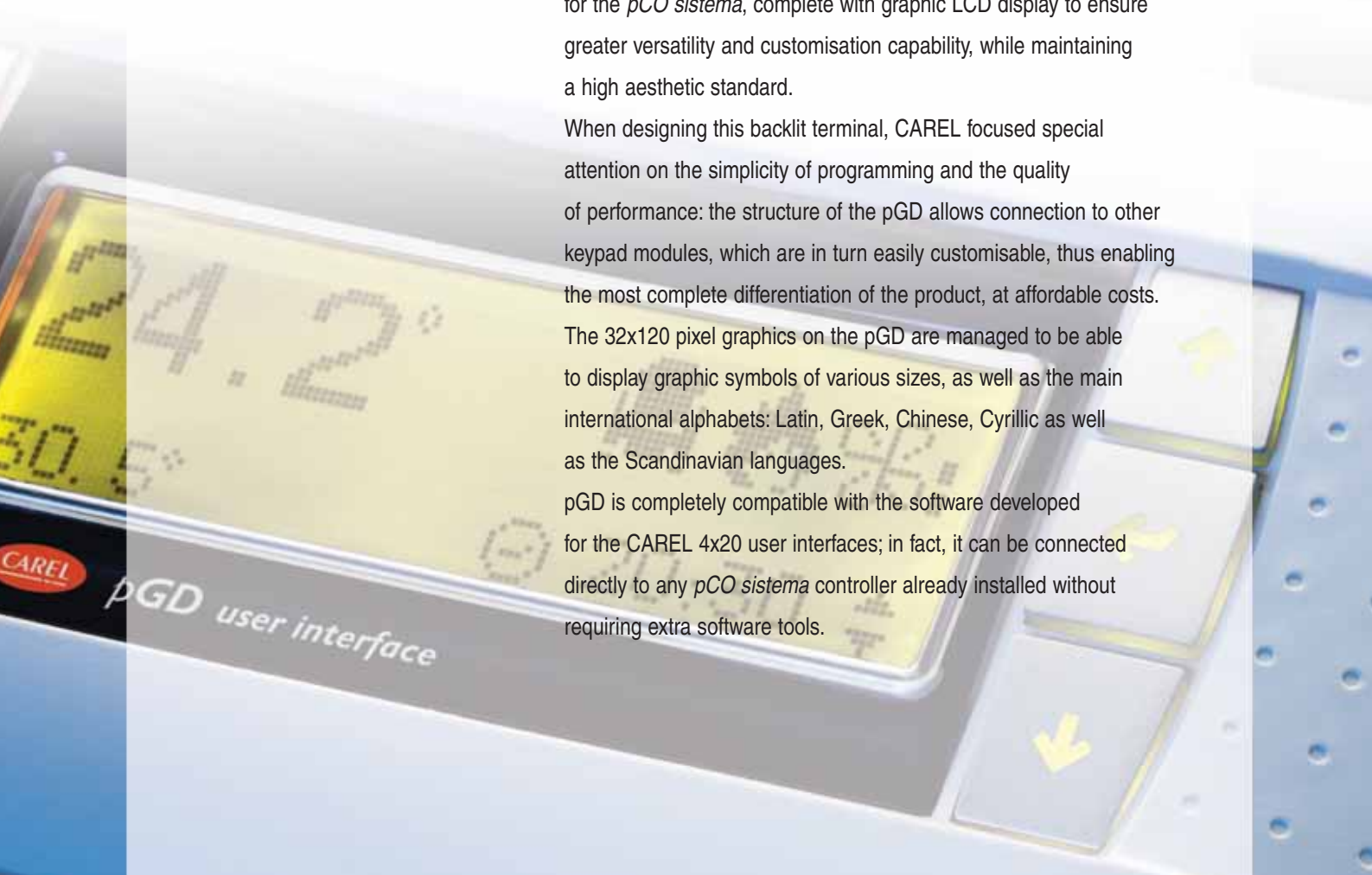
pGD: the new user interface for the pCO sistema series

pGD is the new user interface proposed by CAREL for the *pCO sistema*, complete with graphic LCD display to ensure greater versatility and customisation capability, while maintaining a high aesthetic standard.

When designing this backlit terminal, CAREL focused special attention on the simplicity of programming and the quality of performance: the structure of the pGD allows connection to other keypad modules, which are in turn easily customisable, thus enabling the most complete differentiation of the product, at affordable costs.

The 32x120 pixel graphics on the pGD are managed to be able to display graphic symbols of various sizes, as well as the main international alphabets: Latin, Greek, Chinese, Cyrillic as well as the Scandinavian languages.

pGD is completely compatible with the software developed for the CAREL 4x20 user interfaces; in fact, it can be connected directly to any *pCO sistema* controller already installed without requiring extra software tools.

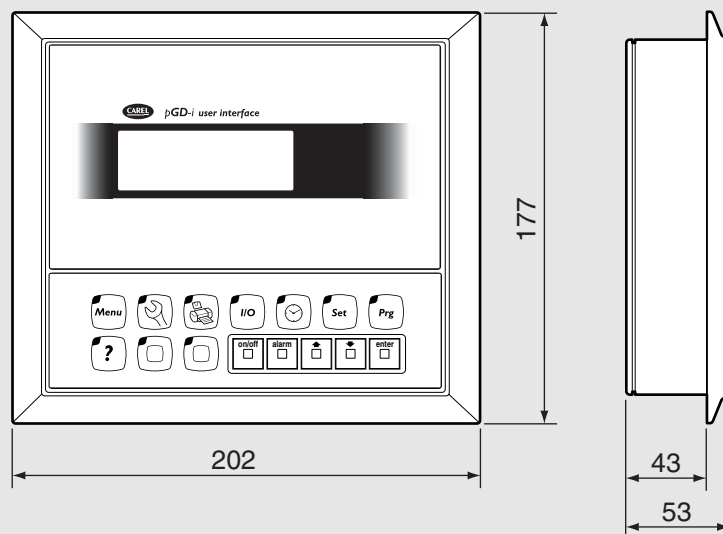
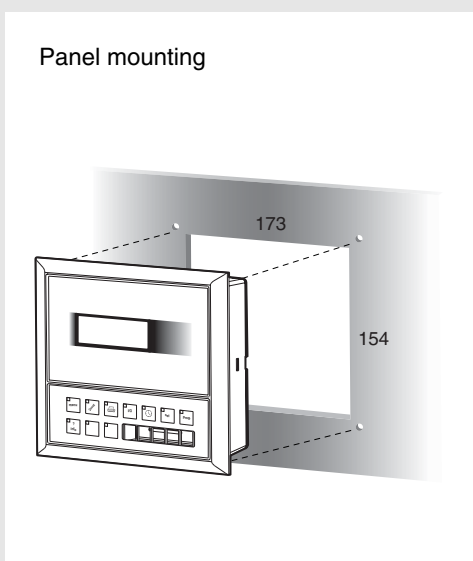
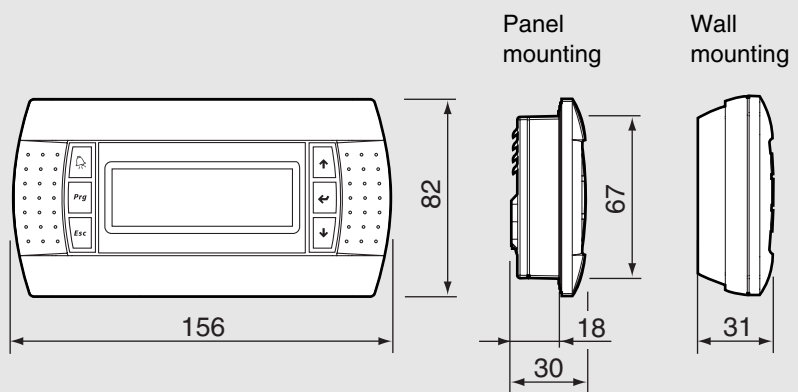
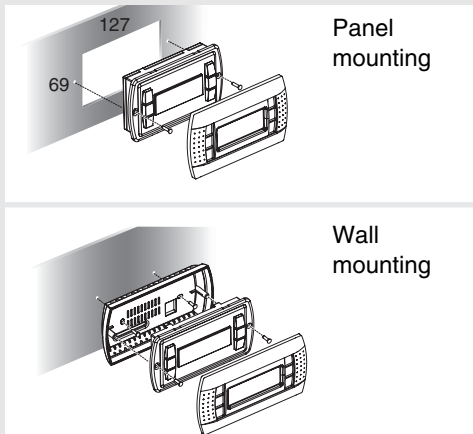




Technical specifications

Power supply	from pCO controller via telephone connector	Keypad LEDs	2 programmable (orange, red) 4 fixed for the back-lighting
Operating conditions	-20T60 °C		
Storage conditions	-20T70 °C		
Index of protection	IP65		
Display		Versions available:	PGD0000F00 for built-in installation PGD0000W00 for wall-mounting PGD0000F01 for built-in installation in multiple packaging (20 units) PGD0000I00 version inserted in pCOI plastic container
Type	FSTN graphic display		
Back-lighting	green LED		
Resolution	120x32 pixels		
Text modes	4 rows x 20 columns 2 rows x 10 columns mixed		

Dimensions (mm) and mounting



CAREL reserves the right to modify or change its products without prior notice

© CAREL S.p.A. 2003 all rights reserved Code +302235261 - rel. 1.0 12/09/03