



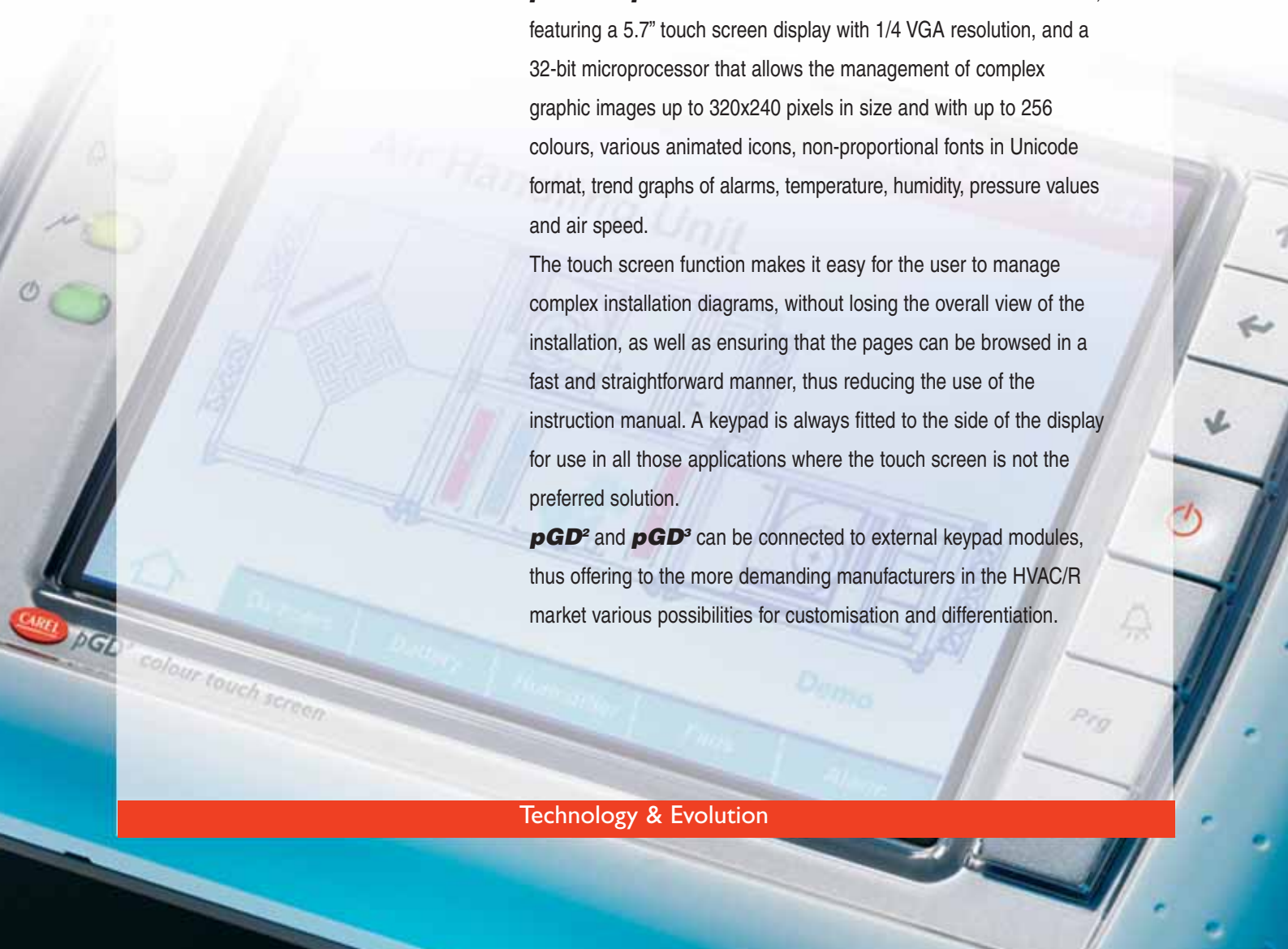
**pGD**

## **pGD<sup>2</sup>, pGD<sup>3</sup>: the evolution of the range**

**pGD<sup>2</sup>** and **pGD<sup>3</sup>** are the latest CAREL state of art user interfaces, featuring a 5.7" touch screen display with 1/4 VGA resolution, and a 32-bit microprocessor that allows the management of complex graphic images up to 320x240 pixels in size and with up to 256 colours, various animated icons, non-proportional fonts in Unicode format, trend graphs of alarms, temperature, humidity, pressure values and air speed.

The touch screen function makes it easy for the user to manage complex installation diagrams, without losing the overall view of the installation, as well as ensuring that the pages can be browsed in a fast and straightforward manner, thus reducing the use of the instruction manual. A keypad is always fitted to the side of the display for use in all those applications where the touch screen is not the preferred solution.

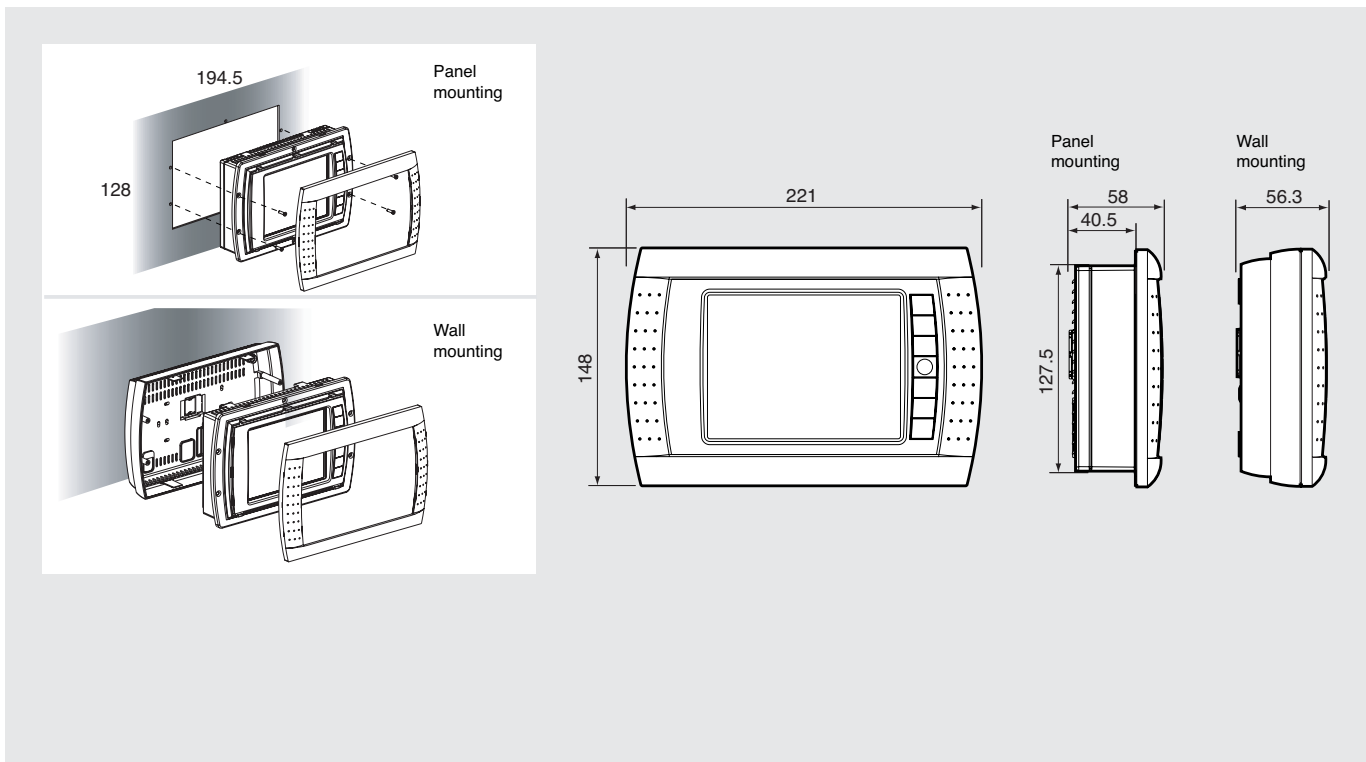
**pGD<sup>2</sup>** and **pGD<sup>3</sup>** can be connected to external keypad modules, thus offering to the more demanding manufacturers in the HVAC/R market various possibilities for customisation and differentiation.



## Technical specifications

Operating conditions	0T45 °C - colour version 0T50 °C - B&W version	LEDs on the keypad	3 programmable (orange, red, green)
Storage conditions	-10T70 °C	Versions available:	PGD2000F00 - B&W built-in PGD2000W00 -B&W wall-mounting PGD3000F00 - colore built-in PGD3000W00 -colore wall-mounting
Index of protection	IP40 IP65 available upon request		
<b>Display</b>			
Type	5,7" STN touch screen		
Backlighting	white LEDs B&W version Lamp - colour version		
Graphic resolution	320 x 240 pixel		

## Dimensions (mm) and assembly



© CAREL S.p.A. 2004 all rights reserved Code +302235361 - rel. 1.0 01/10/04 CAREL reserves the right to modify or change its products without prior notice