

# AC axial fan

## S series



- **Design:** Guard grille
- **Impeller material:** Sheet steel (enameled in black)
- **Bearings:** Maintenance-free ball bearings

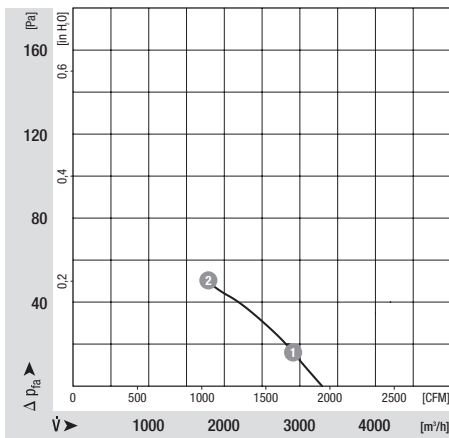
### Nominal data

Type	Motor	Voltage 1 - VAC	Frequency Hz	Air flow m³/h	Speed 1/min	Power consumption W	Current draw A	Capacitor capacity uF/V	Sound pressure level dB(A)	Operative range 50Hz Pa	Weight kg
S6E400BP1031	M6E074DF	230	50	3290	940	120	0.55	3.0 / 450	59	0..50	4.0

Subject to modification

### Characteristic: Pressure over air flow at 50Hz

n [min-1]   P<sub>1</sub> [W]   ntl [%]   Lpa [dBA]

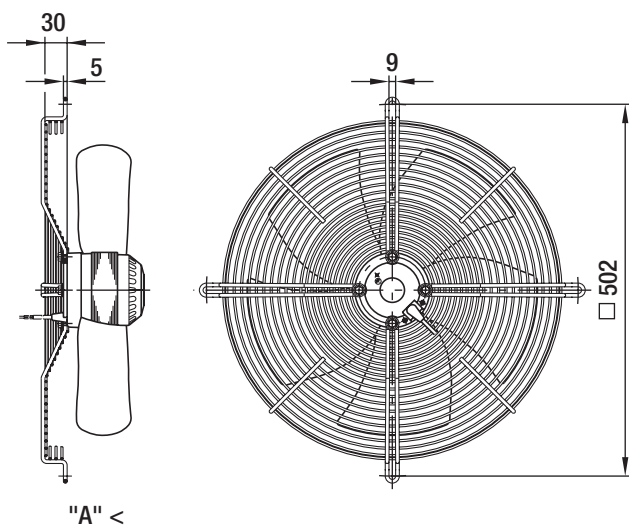


1	935	126	--	--
2	895	140	--	--

# AC axial fan

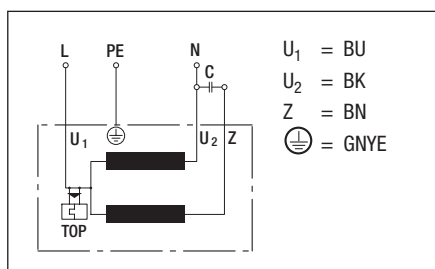
S series

## Specific drawing



"A" <

## Connection illustration



## Technical description

- **Design:** Guard grille
- **Bearings:** Maintenance-free ball bearings
- **Direction of flow:** "A"
- **Cable layout:** Variable
- **Insulation class:** "F"
- **System of protection:** IP 44
- **Impeller material:** Sheet steel (enameled in black)
- **Direction of rotation:** Right, looking at rotor
- **Number of impeller blades:** 5
- **Operating mode:** S1
- **Protection class:** I
- **Option:** With terminal box

## Contact

ebm-papst Mulfingen GmbH & Co. KG

Bachmühle 2

D-74673 Mulfingen

Phone +49 (0) 79 38 / 81-0

Fax +49 (0) 79 38 / 81-110

info1@de.ebmpapst.com

www.ebmpapst.com