

AC centrifugal blower

Single inlet, forward curved



- **Impeller material:** Sendzimir galvanized sheet steel
- **Housing material:** Die-cast aluminum
- **Bearings:** Maintenance-free ball bearings

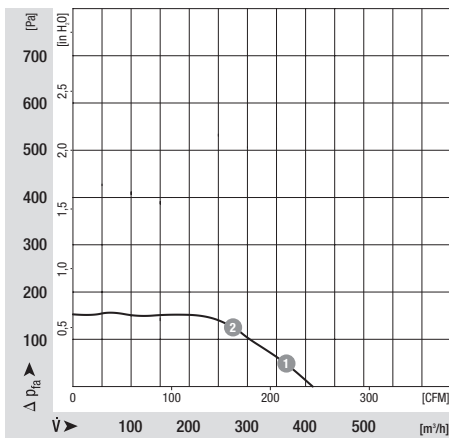
Nominal data

Type	Motor	Voltage 1 - VAC	Frequency Hz	Air flow m³/h	Speed 1/min	Power consumption W	Current draw A	Capacitor capacity uF/V	Sound pressure level dB(A)	Operative range 50Hz Pa	Weight kg
G4E160AB0101	M4E068CF	230	50	410	1300	67	0.30	2.0 / 450	65	0 .. 150	2.9

Subject to modification

Characteristic: Pressure over air flow at 50Hz

n
[min-1] P₁
[W] ntl
[%] Lpa
[dBA]

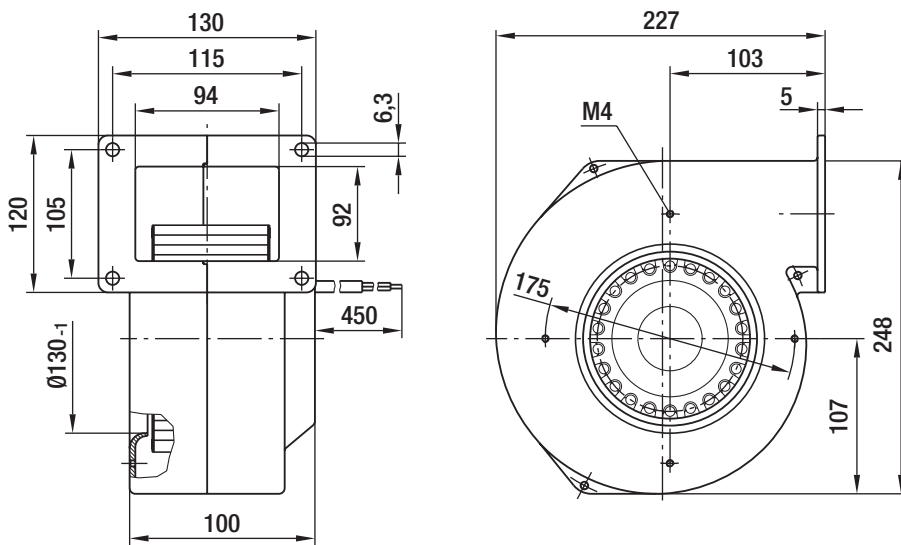


1	1350	63	--	--
2	1395	58	--	--

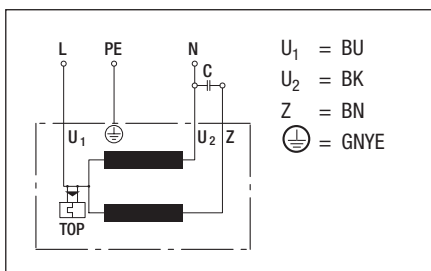
AC centrifugal blower

Single inlet, forward curved

Specific drawing



Connection illustration



Technical description

- **Impeller material:** Sendzimir galvanized sheet steel
- **Bearings:** Maintenance-free ball bearings
- **Insulation class:** "B"
- **System of protection:** IP 44
- **Housing material:** Die-cast aluminum
- **Operating mode:** S1
- **Protection class:** I
- **Approvals:** CE

Contact

ebm-papst Mulfingen GmbH & Co. KG

Bachmühle 2

D-74673 Mulfingen

Phone +49 (0) 79 38 / 81-0

Fax +49 (0) 79 38 / 81-110

info1@de.ebmpapst.com

www.ebmpapst.com