

AC centrifugal blower

Dual inlet, forward curved



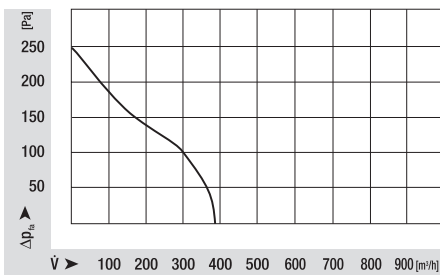
- **General description:** Installation orientation: Shaft horizontal
- **Impeller material:** Aluminum
- **Housing material:** Fire-aluminized sheet steel

Nominal data

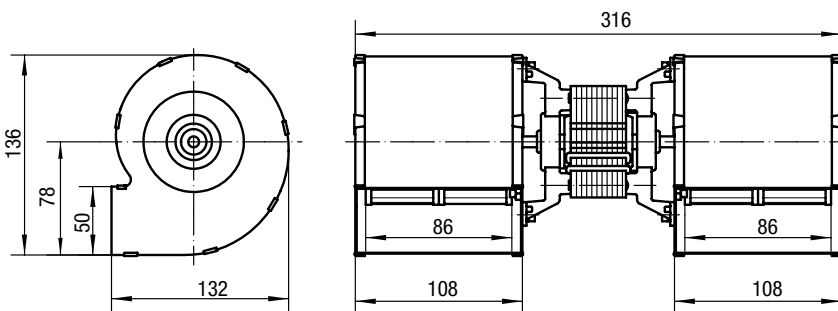
Type	Motor	Voltage VAC	Frequency Hz	Air flow m³/h	Speed 1/min	Power consumption W	Current draw A	Ambient temperature 50Hz °C	Weight kg
RLD85/8686Z-3045L	--	230	50	380	1800	95	910	0..60	2.4

Subject to modification

Characteristic: Pressure over air flow



Specific drawing



Technical description

- **General description:** Installation orientation: Shaft horizontal
- **Housing material:** Fire-aluminized sheet steel
- **Insulation class:** "B"
- **Impeller material:** Aluminum
- **Motor position:** Centered

AC centrifugal blower

Dual inlet, forward curved

Contact

ebm-papst Landshut GmbH

Hofmark-Aich-Straße 25

D-84030 Landshut

Phone +49 (0) 871 / 707-0

Fax +49 (0) 871 / 707-465

info3@de.ebmpapst.com

www.ebmpapst.com