

AC centrifugal fan

Backward curved



- **Impeller material:** Aluminum sheet
- **Bearings:** Maintenance-free ball bearings
- **Direction of rotation:** Right, looking at rotor

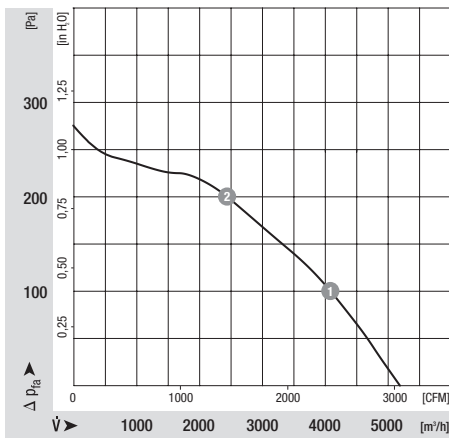
Nominal data

Type	Motor	Voltage 1 - VAC	Frequency Hz	Air flow m³/h	Speed at highest load 1/min	Max. power consumption at highest load W	Max. current draw at highest load A	Capacitor capacity uF/V	Sound pressure level dB(A)	Weight kg
R6E500AB0506	M6E094HA	230	50	5180	820	385	1.82	10 / 400	66	11.1

Subject to modification

Characteristic: Pressure over air flow at 50Hz

n [min-1] P₁ [W] ntl [%] Lpa [dBA]

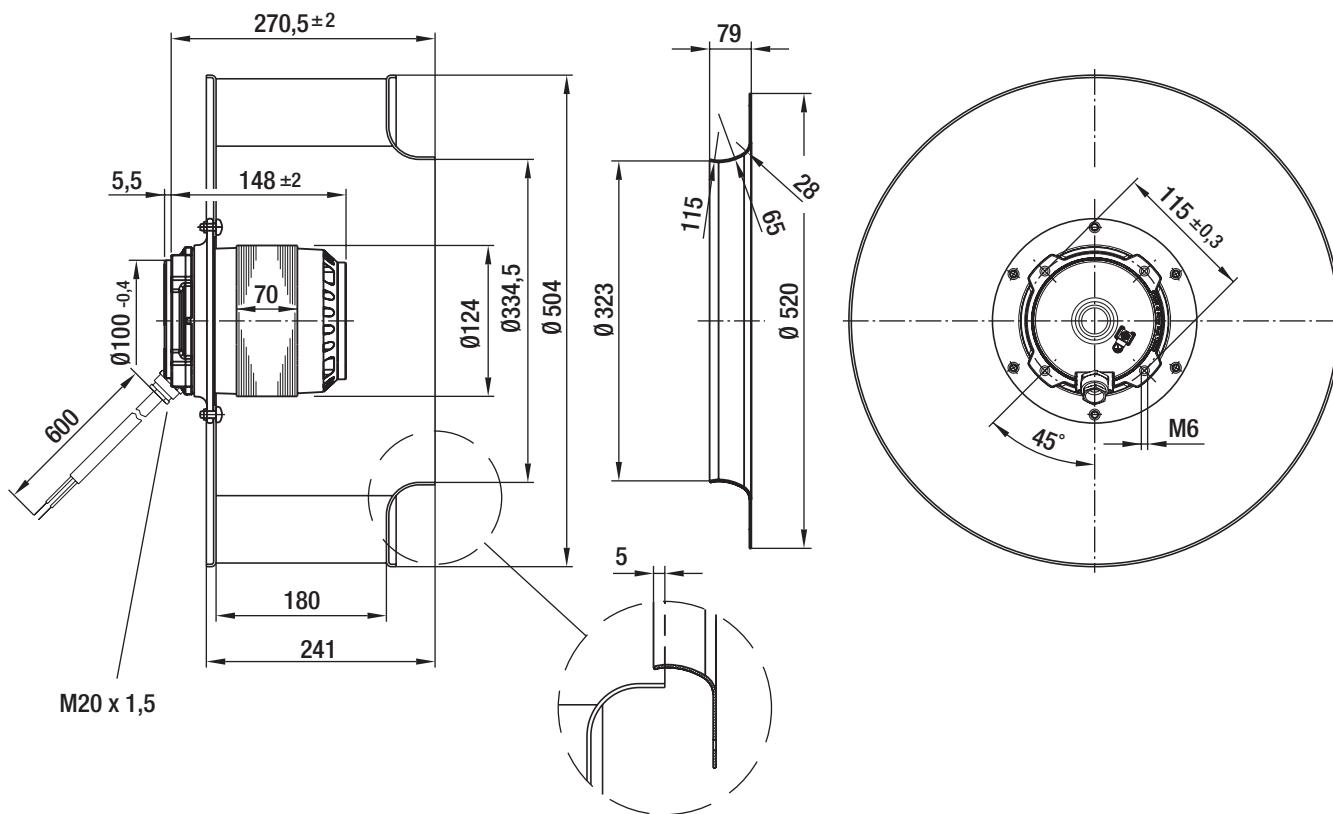


1	845	360	--	62
2	830	376	--	57

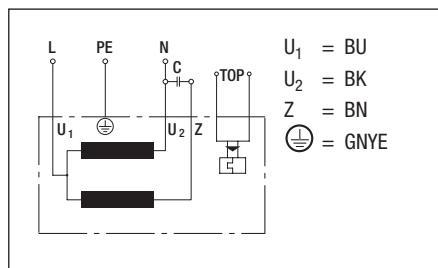
AC centrifugal fan

Backward curved

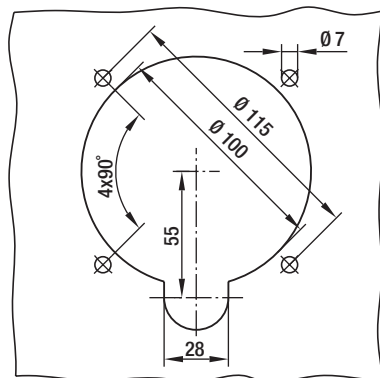
Specific drawing



Connection illustration



Installation dimensions



AC centrifugal fan

Backward curved

Technical description

- **Impeller material:** Aluminum sheet
- **Direction of rotation:** Right, looking at rotor
- **Cable layout:** Variable (screwed cable gland M20 x 1.5)
- **Operating mode:** S1
- **Protection class:** I
- **Motor protection:** Equipped with thermal overload protector
- **Bearings:** Maintenance-free ball bearings
- **Number of impeller blades:** 6
- **Guideline:** Corresponding to EN 60034-1
- **Insulation class:** "F"
- **System of protection:** IP 54 (observe condensate discharge holes)
- **Approvals:** CE

Contact

ebm-papst Mulfingen GmbH & Co. KG

Bachmühle 2

D-74673 Mulfingen

Phone +49 (0) 79 38 / 81-0

Fax +49 (0) 79 38 / 81-110

info1@de.ebmpapst.com

www.ebmpapst.com