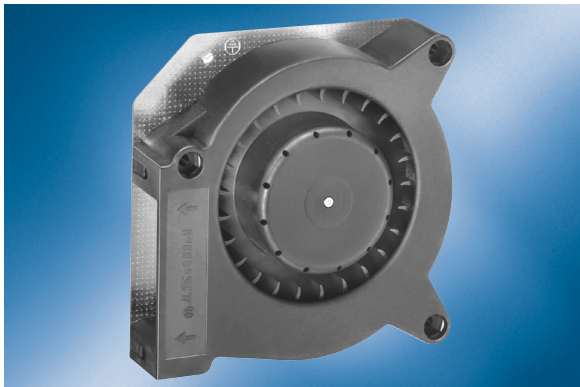


DC centrifugal fan

Series RI 90 N 121 x 121 x 37 mm



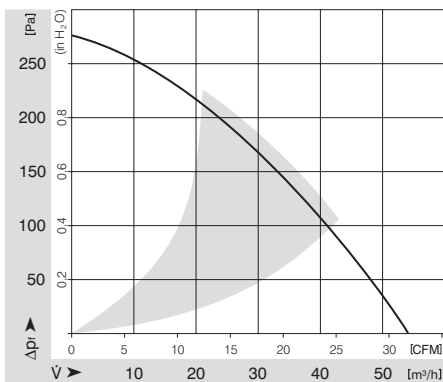
- **General description:** DC centrifugal fan with electronically commutated external rotor motor. Commutation electronics completely integrated. Optional Vario-Pro: Highly flexible software configuration for the fan ensures an easily customizable solution to meet the individual requirements of your

- **Impeller material:** Fiberglass-reinforced plastic

- **Housing material:** Spiral housing of fiberglass-reinforced plastic, housing base of galvanized sheet steel.

Nominal data		Voltage	Voltage range VDC	Air flow	Speed	Power consumption	Sound level	Ambient temperature	L10 service life at 40 °C	L10 service life at max. temp.	Weight
Type	Motor	VDC	VDC	m³/h	1/min	W	Bel	°C	h	h	kg
RL 90-18/18 NH	--	48	40 - 53	55	3500	15.0	6.9	-30 .. 55	32500	22500	0.420
Subject to modification											

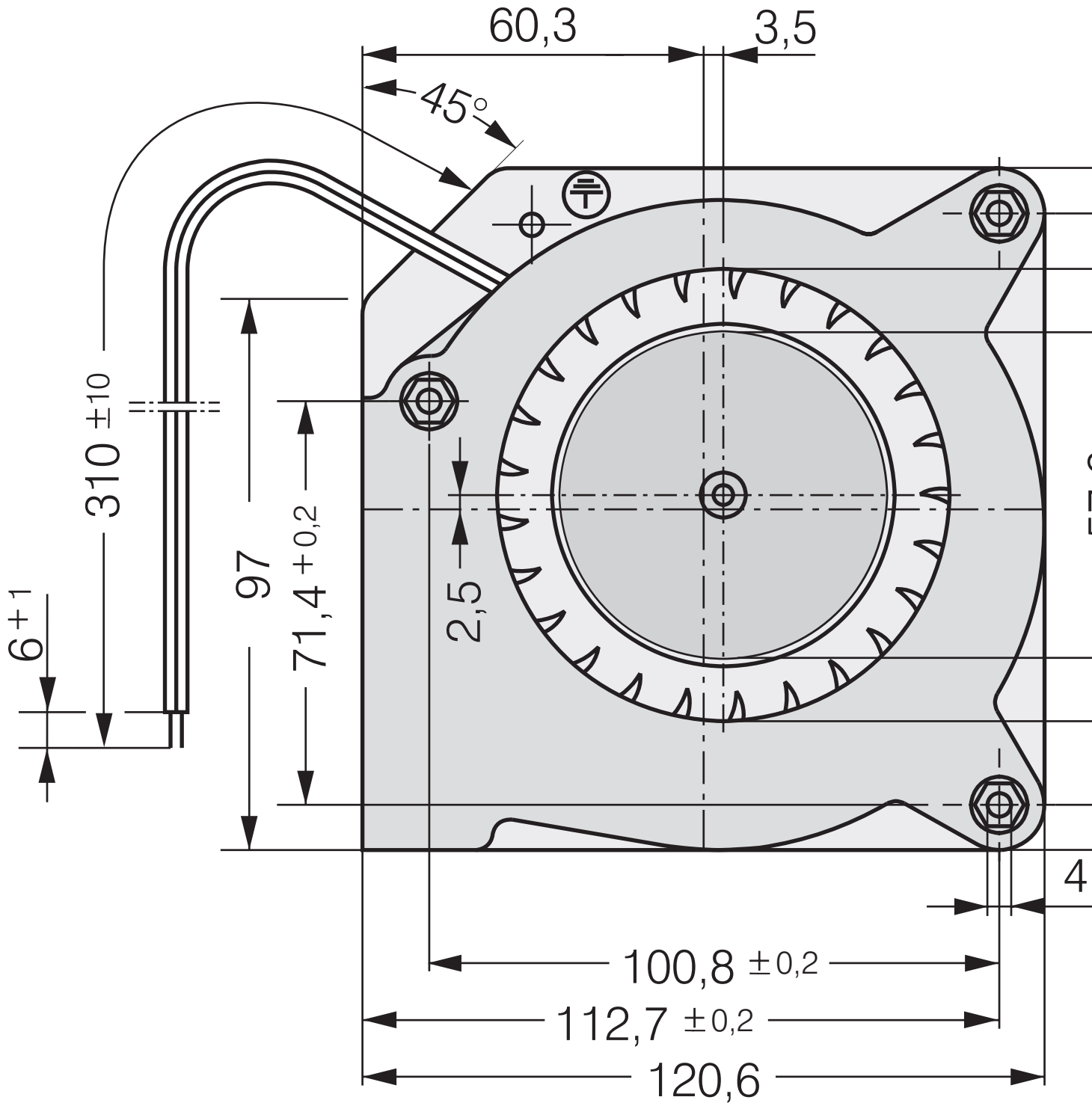
Characteristic: Pressure over air flow



DC centrifugal fan

Series RI 90 N 121 x 121 x 37 mm

Specific drawing



*Federmutter M4 oder 8-32UNC. Ei

*Speed nut M4 or 8-32UNC. Screw

DC centrifugal fan

Series RI 90 N 121 x 121 x 37 mm

Technical description

- **General description:** DC centrifugal fan with electronically commutated external rotor motor. Commutation electronics completely integrated. Optional Vario-Pro: Highly flexible software configuration for the fan ensures an easily customizable solution to meet the individual requirements of your
- **Housing material:** Spiral housing of fiberglass-reinforced plastic, housing base of galvanized sheet steel.
- **Direction of flow:** Centrifugal, air exhaust out of housing window
- **Motor protection:** Reverse-polarity protected. The fan runs only if the polarity is correct.
- **Approvals:** VDE, CSA, UL, CE
- **Impeller material:** Fiberglass-reinforced plastic
- **Bearings:** Ball bearings
- **Electrical connection:** 2 single strands AWG 22, TR 64
- **Blocking protection:** Blocking and overload protection
- **Option:** Vario-Pro fan

Contact

ebm-papst St. Georgen GmbH & Co. KG

Hermann-Papst-Straße 1
D-78112 St. Georgen
Phone +49 (0) 7724 / 81-0
Fax +49 (0) 7724 / 81-1309
info2@de.ebmpapst.com
www.ebmpapst.com