

# DC diagonal fan

Series DV 6200 TD TURBOFAN 172 Ø x 51 mm



- **General description:** Particularly powerful DC fan with 3-phase EC drive and completely integrated operating electronics. For speed control regardless of load, with highly intelligent motor management and with power and speed reserves that create brand-new areas of application

- **Impeller material:** Fiberglass-reinforced PA plastic

- **Housing material:** Metal

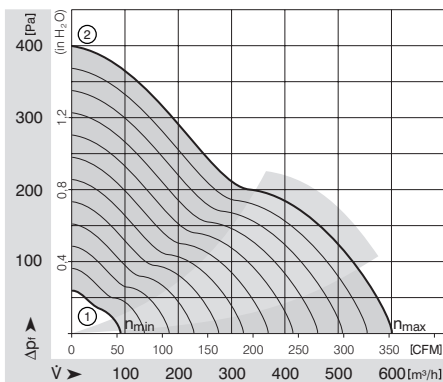
## Nominal data

Type	Motor	Voltage VDC	Voltage range VDC	Air flow m <sup>3</sup> /h	Speed 1/min	Power consumption W	Sound level Bel	Sound pressure level dB(A)	Ambient temperature °C	L10 service life at 40 °C h	Weight kg
DV 6248 TD	--	48	40 - 55	700	5500	86.0	7.8	69	-20 .. 60	65000	0.820

Subject to modification

The technical data specified here refer to benchmark values that can be realized.

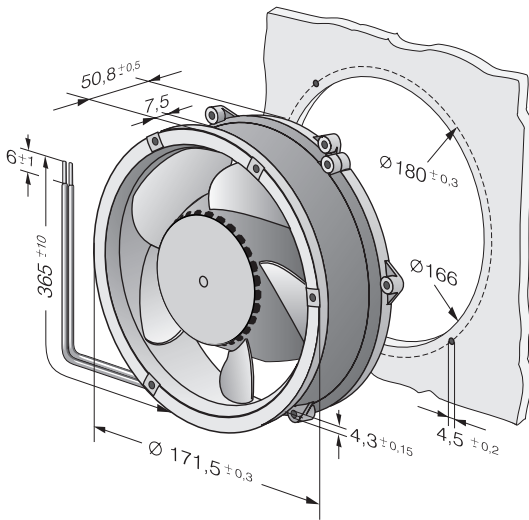
## Characteristic: Pressure over air flow



# DC diagonal fan

Series DV 6200 TD TURBOFAN 172 Ø x 51 mm

## Specific drawing



## Technical description

- **General description:** Particularly powerful DC fan with 3-phase EC drive and completely integrated operating electronics. For speed control regardless of load, with highly intelligent motor management and with power and speed reserves that create brand-new areas of application
- **Housing material:** Metal
- **Direction of rotation:** Left, looking at rotor
- **Electrical connection:** 2 single strands AWG 22, TR 64. Housing with grounding lug for tapping screw M4 x 8 (TORX), with screws.
- **Option:** TURBOFAN. Custom designs available on request.

- **Impeller material:** Fiberglass-reinforced PA plastic
- **Bearings:** Ball bearings
- **Direction of flow:** Air exhaust over bars
- **Approvals:** VDE, CSA, UL, CE

## Contact

ebm-papst St. Georgen GmbH & Co. KG  
Hermann-Papst-Straße 1  
D-78112 St. Georgen  
Phone +49 (0) 7724 / 81-0  
Fax +49 (0) 7724 / 81-1309  
info2@de.ebmpapst.com  
www.ebmpapst.com