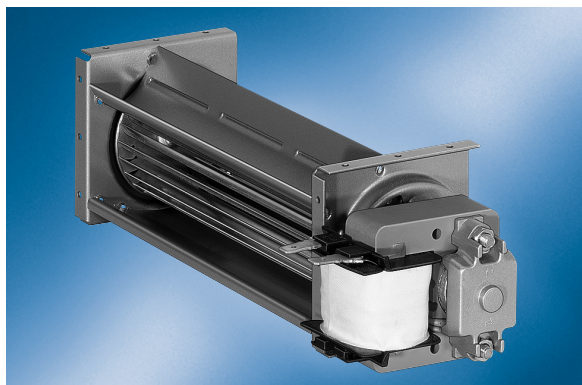


Tangential fans

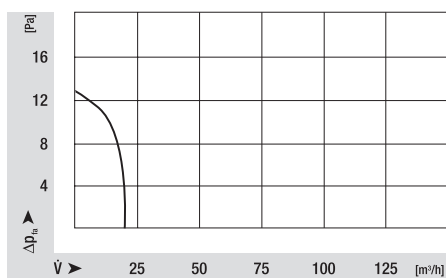
QL4



- **General description:** Air flow of 180° possible
- **Electrical connection:** Flat plug 2.8 x 0.5
- **Motor position:** Right

Nominal data		Voltage	Frequency	Air flow	Speed	Power consumption	Current draw	Ambient temperature	Weight
Type	Motor	VAC	Hz	m³/h	1/min	W	A	°C	kg
QL4/0500-2112	--	230	50	18	2500	8	100	0 .. 60	0.40
Subject to modification									

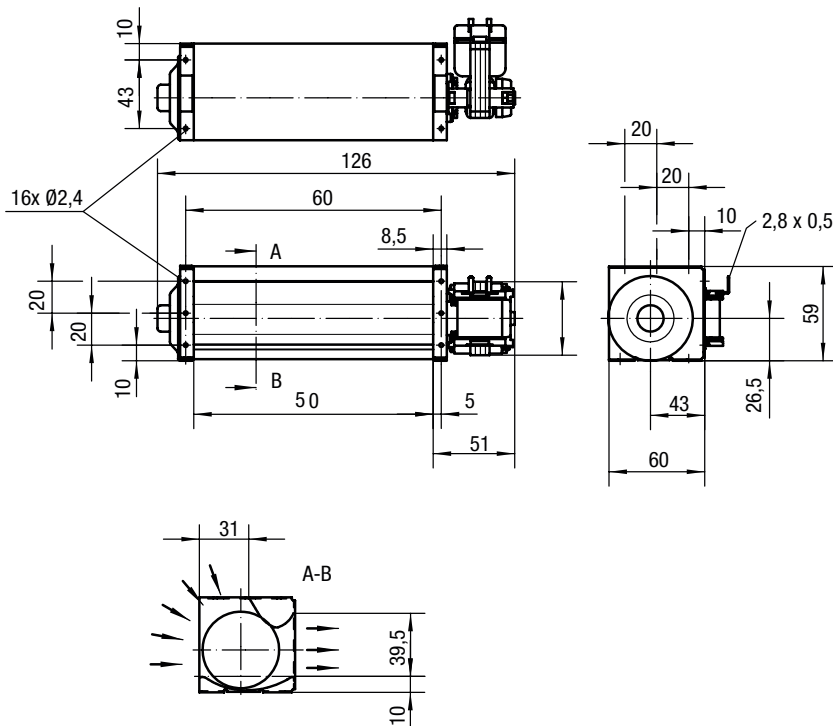
Characteristic: Pressure over air flow



Tangential fans

QL4

Specific drawing



Technical description

- **General description:** Air flow of 180° possible
- **Motor position:** Right

- **Electrical connection:** Flat plug 2.8 x 0.5
- **Insulation class:** B F or H also available on request

Contact

ebm-papst Landshut GmbH
Hofmark-Aich-Straße 25
D-84030 Landshut
Phone +49 (0) 871 / 707-0
Fax +49 (0) 871 / 707-465
info3@de.ebmpapst.com
www.ebmpapst.com