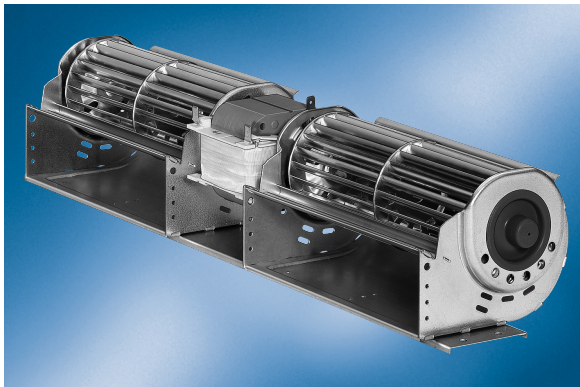


# Tangential fans

QLN65



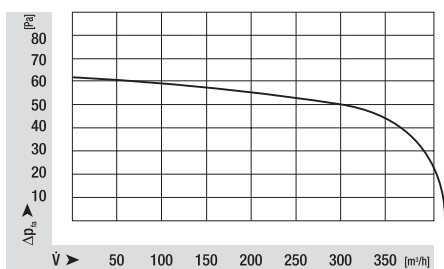
- **General description:** With double housing
- **Electrical connection:** Flat plug 6.3 x 0.8
- **Installation orientation:** Horizontal

## Nominal data

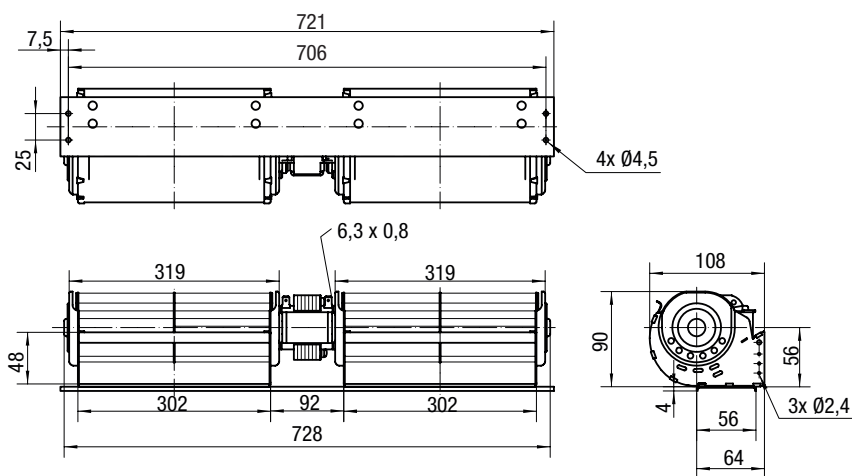
Type	Motor	Voltage VAC	Frequency Hz	Air flow m <sup>3</sup> /h	Speed 1/min	Power consumption W	Current draw A	Ambient temperature °C	Weight kg
QLN65/3030-3045L	--	230	50	410	1225	72	560	0 .. 60	2.80

Subject to modification

## Characteristic: Pressure over air flow



## Specific drawing



# Tangential fans

QLN65

## Technical description

- **General description:** With double housing
- **Installation orientation:** Horizontal
- **Insulation class:** B F or H also available on request
- **Electrical connection:** Flat plug 6.3 x 0.8
- **Motor position:** Centered

## Contact

**ebm-papst Landshut GmbH**  
Hofmark-Aich-Straße 25  
D-84030 Landshut  
Phone +49 (0) 871 / 707-0  
Fax +49 (0) 871 / 707-465  
info3@de.ebmpapst.com  
www.ebmpapst.com