

# B.M.S INPUT-OUTPUT MODULE RAISE / LOWER IN 0-10VDC OUT

## AUD

This product converts a Floating Point Input to a 0-10VDC Output.

There are two inputs on the AUD, one to increase the output and one to decrease the output. The output is stable when both inputs are off.



AUD

- 255 Step Resolution
- Pulsed relay contact input
- Accuracy +/-3%
- LED Status Indicators
- Field selectable rate of change
- Field Adjustable Output with manual Override Potentiometer

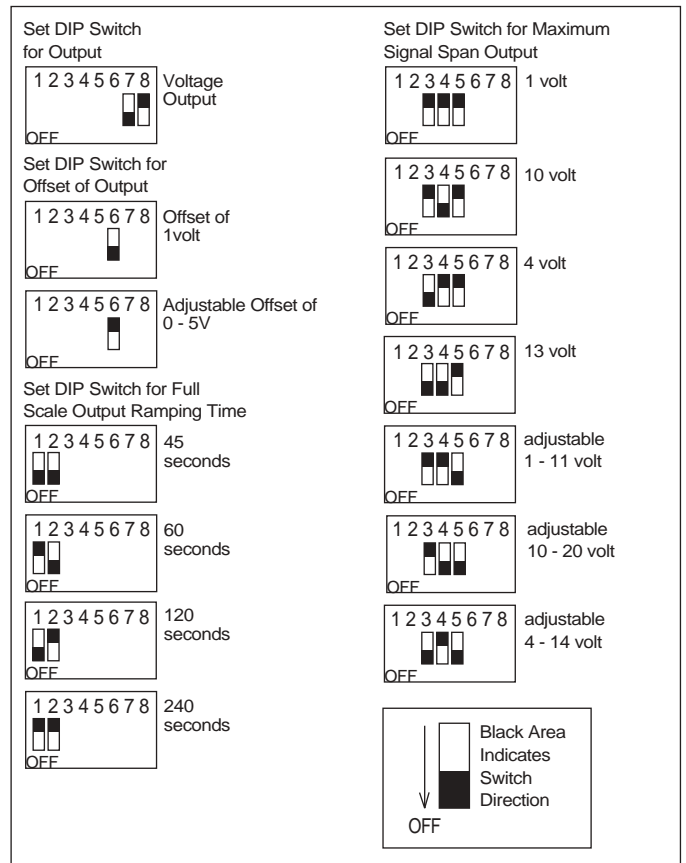
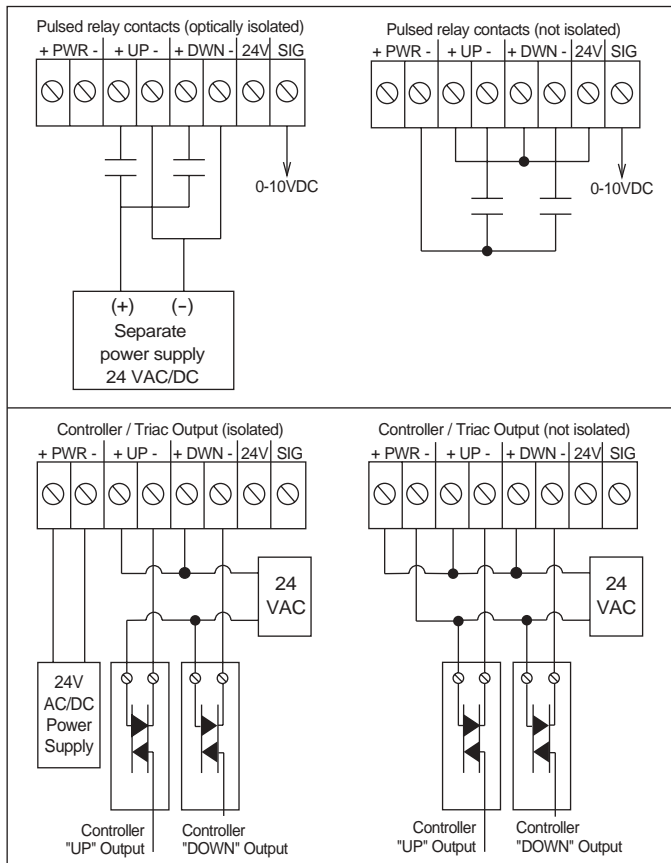
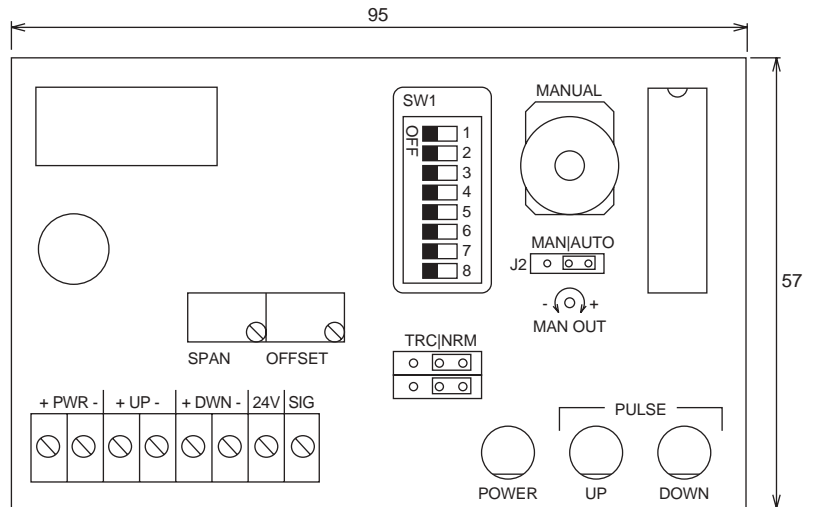
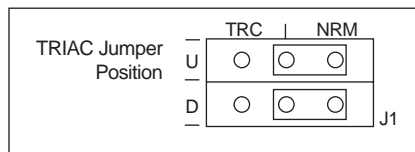
Type	Supply ±10%	Output	Rate of Change*	Signal Trigger Level	Consumption	Protection
<b>AUD</b>	24VAC/DC	0-10VDC	45sec - 240sec	24 to 26.4VAC	50mA	IP00

\*The time it takes for the output to go from 0-10VDC

### WIRING:

#### INSTALLATION:

- Terminals 0.5 - 2.5mm<sup>2</sup>
- Sensor cable size 7/0.2mm
- Keep away from power cables/units which may cause interference.
- Max length 100m.
- Screened cable is recommended.
- The screen should be earthed at the controller 0V terminal only.



**CAUTION:** These devices are suitable for low voltage supply only. Isolate device from electrical supply before removing cover. Observe design limits of temperatures/electrical ratings. Always ensure the device operates correctly. If failure of the device can cause damage a safety backup control should be fitted. All data is for guidance purposes only, subject to change without prior notice and not guaranteed to be absolutely correct unless confirmed by us in writing.

Device should be checked by a qualified technician before applying any voltage. Observe all relevant safety precautions, wiring/earthing regulations and electrical ratings. Observe safety precautions for handling electrostatic sensitive devices.

