

# B.M.S INPUT - OUTPUT MODULES 8 STAGE RELAY, SEQUENCE 0-10VDC

## E8RM

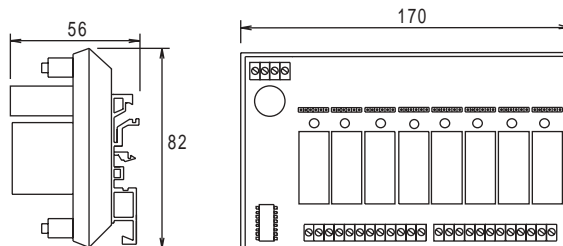
These units accept a 0-10vdc input and produce an 8 stage relay output which can be used for external plant switching. Suitable for staging or sequencing operation. For multi-stage heating & cooling, two of these units or other relay modules can be used with the E13.. temperature controllers or similar.



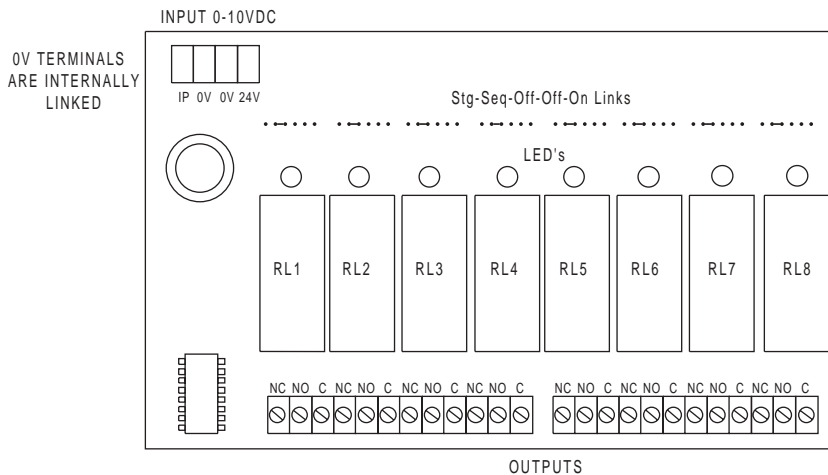
ON-OFF-AUTO Manual Override links on each relay: -  
 STG = Staging operation  
 SEQ = Sequence operation  
 OFF = De-energised  
 OFF = De-energised  
 ON = Energised  
 Volt free contacts LED's indicate relay status  
 Din-Rail mounting  
 Input current > 1mA  
 Max Ambient -10 /+50°C  
 Flammability = UL94-V0

Type	Supply ±15%	Input Signal	Switch Rating 230VAC SPDT	Consumption	Compatibility	Protection
<b>E8RM</b>	24VAC/DC	0-10VDC	8 x 10(3)A	250mA	Most BMS Controllers	IP00

### DIMENSIONS:



### WIRING:



### INSTALLATION:

#### STAGED MODE

Relays 1-8 switch on as the input signal increases.

INPUT	RLY 1	RLY 2	RLY 3	RLY 4	RLY 5	RLY 6	RLY 5	RLY 6
0v	OFF	OFF	OFF	OFF	OFF	OFF	OFF	OFF
1.2v	ON	OFF	OFF	OFF	OFF	OFF	OFF	OFF
2.4v	ON	ON	OFF	OFF	OFF	OFF	OFF	OFF
3.6v	ON	ON	ON	OFF	OFF	OFF	OFF	OFF
4.8v	ON	ON	ON	ON	OFF	OFF	OFF	OFF
6.0v	ON	ON	ON	ON	ON	OFF	OFF	OFF
7.2v	ON	ON	ON	ON	ON	ON	OFF	OFF
8.4v	ON	ON	ON	ON	ON	ON	ON	OFF
9.6v	ON	ON	ON	ON	ON	ON	ON	ON

#### SEQUENCED MODE

Only one relay is on at any time.

INPUT	RLY 1	RLY 2	RLY 3	RLY 4	RLY 5	RLY 6	RLY 5	RLY 6
0v	OFF	OFF	OFF	OFF	OFF	OFF	OFF	OFF
1.2v	ON	OFF	OFF	OFF	OFF	OFF	OFF	OFF
2.4v	OFF	ON	OFF	OFF	OFF	OFF	OFF	OFF
3.6v	OFF	OFF	ON	OFF	OFF	OFF	OFF	OFF
4.8v	OFF	OFF	OFF	ON	OFF	OFF	OFF	OFF
6.0v	OFF	OFF	OFF	OFF	ON	OFF	OFF	OFF
7.2v	OFF	OFF	OFF	OFF	OFF	ON	OFF	OFF
8.4v	OFF	OFF	OFF	OFF	OFF	OFF	ON	OFF
9.6v	OFF	OFF	OFF	OFF	OFF	OFF	OFF	ON

Relays can be operated in various combinations of these modes if required.

All values are maximum switching points. Exact switching points may be slightly lower than those stated.

Terminals 0.5-2.5mm<sup>2</sup> rising clamps    Min sensor / control signal cable size 7/0.2mm    Max length 100m.    Screened cable is recommended.  
 The screen should be earthed at controller end only    Keep sensor/control signal wires away from power cables/units which may cause interference.

### CAUTION:

Some of these products may be connected to 230VAC supply. Some of these devices are suitable for low voltage supply only. Isolate device from electrical supply before removing cover. Always ensure the device operates correctly. If failure of the device can cause damage a safety backup control should be fitted. All data is for guidance purposes only, subject to change without prior notice and not guaranteed to be absolutely correct unless confirmed by us in writing.

Device should be checked by a qualified technician before applying any voltage. Observe all relevant safety precautions, wiring/earthing regulations and electrical ratings. Observe design limits of temperatures/electrical ratings.

