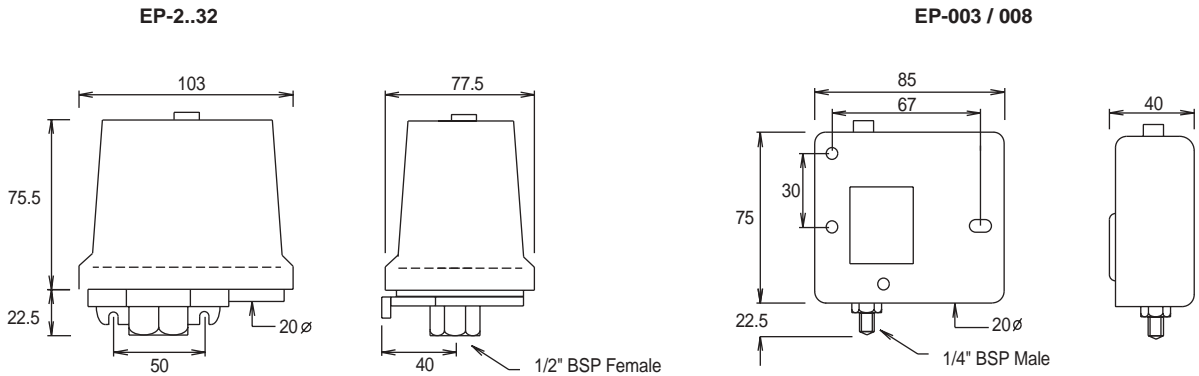


EP..

<p>Suitable to monitor static or positive pressure of water, air, oil, diesel, steam** etc & switch in the event of high or low pressure conditions. Two switches must be used if both high and low pressures are to be controlled.</p>		<p>* The minimum differential will gradually increase by approx 60% as the switch setting is increased. Max. media temp. 80°C</p> <p>**The pressure line can be formed into a U shape/syphon for media temperatures up to 300°C.</p> <p>Tamper proof adjustment Volt free contacts Max. ambient 70°C Enclosure Flammability = UL94-V2</p>
---	--	---

Type	Range Bar	Diff Bar	Max Press. Bar	230VAC SPDT	Media Contact Materials	Pressure Connections	Enclosure
EP-2	0.1/2	* 0.07/1.9	40	16(6)A	Cast Aluminium/Nitrile	½" BSP Female	IP65
EP-4	0.2/4	* 0.15/3.7	40	16(6)A	Cast Aluminium/Nitrile	½" BSP Female	IP65
EP-8	0.5/8	* 0.3/7.5	40	16(6)A	Cast Aluminium/Nitrile	½" BSP Female	IP65
EP-16	1/16	* 0.6/15	48	16(6)A	Cast Aluminium/Nitrile	½" BSP Female	IP65
EP-32	2/32	* 1.2/30	64	16(6)A	Cast Aluminium/Nitrile	½" BSP Female	IP65
EP-4M	0.2/4	hand reset open high	40	16(6)A	Cast Aluminium/Nitrile	½" BSP Female	IP65
EP-16M	1/16	hand reset open high	48	16(6)A	Cast Aluminium/Nitrile	½" BSP Female	IP65
EP-2ML	0.1/2	hand reset open low	40	16(6)A	Cast Aluminium/Nitrile	½" BSP Female	IP65
EP-4ML	0.2/4	hand reset open low	40	16(6)A	Cast Aluminium/Nitrile	½" BSP Female	IP65
EP-003	0.3/3	0.25/2	12	24(10)A	Brass Tin Plated/Phosphor Bronze	¼" BSP Male	IP40
EP-008	0.5/8	0.5/5	12	24(10)A	Brass Tin Plated/Phosphor Bronze	¼" BSP Male	IP40

DIMENSIONS:

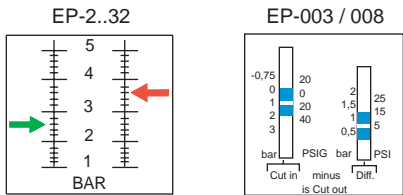


WIRING:



- EP.. On pressure rise to scale setting (range) 1-4 close .. On pressure fall (diff) contacts 1-2 close.
- EP..M Open high = Contacts 1-2 open on pressure rise .. Pressure must fall to allow resetting.
- EP..ML Open low = Contacts 1-4 open on pressure fall .. Pressure must rise to allow resetting.

SETTING:



- EP-2..32 : Set the RED arrow FIRST to the High switch point, then set the GREEN arrow to the Low switch point. The differential is RED minus GREEN setting.
- EP-003 / 008 : Set the RANGE FIRST to the High switch point, then set the DIFF to the Low switch point, the differential is RANGE minus DIFF setting.

CAUTION: These products may be connected to 230VAC supply. Isolate device from electrical supply before removing cover. Observe design limits of temperatures and pressures. Always ensure the device operates correctly. If failure of the device can cause damage a safety backup control should be fitted. All data is for guidance purposes only, subject to change without prior notice and not guaranteed to be absolutely correct unless confirmed by us in writing.

Device should be checked by a qualified technician before applying any voltage. Observe all relevant safety precautions, wiring/earthing regulations and electrical ratings. Ensure electrical entry hole is completely sealed for all IP65/weatherproof models.

