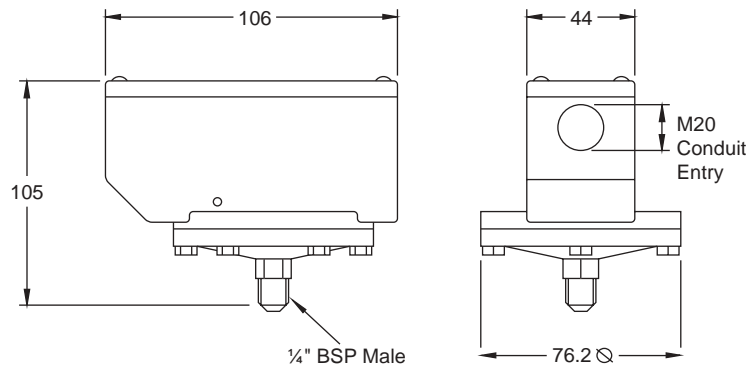


EPG..

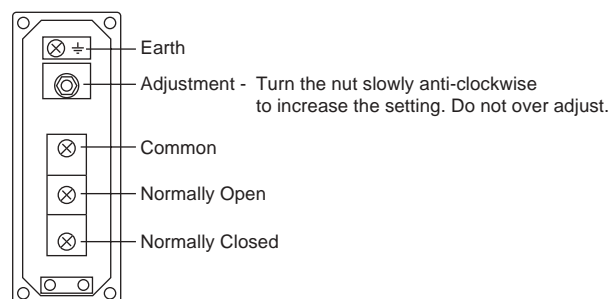
<p>■ Suitable to monitor the pressure of water, gas, air or oil and switch in the event of high or low pressure conditions. Two switches must be used if both high and low pressures are to be monitored.</p>	 <p style="text-align: center;">EPG..</p>	<p>Volt free contacts A filter fitted before the switch is highly recommended. Adjustment under the cover The pressure line can be formed into a U shape/syphon for media temperatures up to 300°C. Not suitable for dirty, heavy or aggressive fluids. Ambient -20/+85 °C mbar x 100 = Pa Enclosure: Zinc diecast with glass filled nylon lid All settings/differentials are approximately +/-2% due to mechanical tolerances.</p>
---	--	--

Type	Range mbar	Diff mbar	Max Press mbar	230VAC SPDT	Media Contact Materials	Max Media Temp °C	Pressure Connections	Enclosure
EPG-125	5/125	2.5	500	5(2)A	Brass Beryllium Copper Nitrile Rubber	85	¼" BSP Male	IP65
EPG-250	15/250	4	500	5(2)A	Brass Beryllium Copper Nitrile Rubber	85	¼" BSP Male	IP65

DIMENSIONS:



WIRING:



CAUTION: These products may be connected to 230VAC supply. Isolate device from electrical supply before removing cover. Observe design limits of temperatures and pressures. Always ensure the device operates correctly. If failure of the device can cause damage a safety backup control should be fitted. All data is for guidance purposes only, subject to change without prior notice and not guaranteed to be absolutely correct unless confirmed by us in writing.

The device should be checked by a qualified technician before applying any voltage. Observe all relevant safety precautions, wiring/earthing regulations & electrical ratings. Periodically test for leaks.