

AIR DIFFERENTIAL PRESSURE TRANSMITTERS

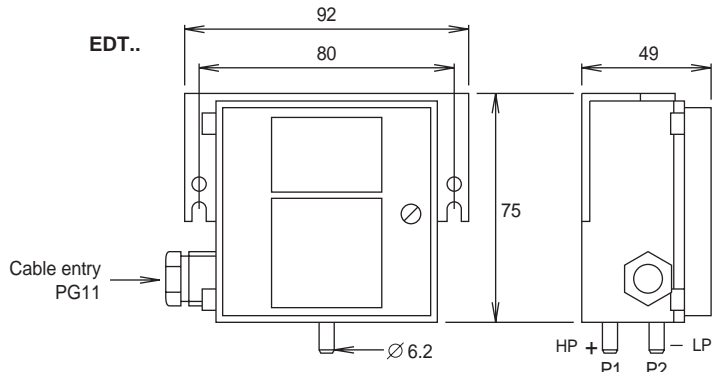
0-10 VDC / 4-20mA

EDT..

<p>These devices measure vacuum, pressure or differential pressure of air and non-combustible, non-aggressive gases across fans, filters, air flow devices etc and give a 0-10vdc output signal linear across the range. Suitable for air conditioning, ventilation and building management systems. Models with square root extracted output are available on request.</p>		<p>Load : 0-10vdc >10kΩ 4-20mA <400Ω Response time <500ms Max. ambient 70°C Max consumption <30mA Accuracy: EDT-050 <3% EDT-1..25 <2% Ceramic sensor Diaphragm: silicone Plastic enclosure Conversion : mbar x 100 = Pa Enclosure Flammability EDT.. Lid = UL94-HB Pressure Housing = UL94-V-2</p>
---	--	--

Type	Range mbar	Max Press. mbar	Supply ± 15%	Output Signal	Max Media Temp °C	Pressure Connections	Enclosure
EDT-050	-0.5/+0.5	50	24VAC/DC	0-10 vdc	70	6mm push-on	IP54
EDT-1	0/1	50	24VAC/DC	0-10 vdc	70	6mm push-on	IP54
EDT-3	0/3	50	24VAC/DC	0-10 vdc	70	6mm push-on	IP54
EDT-5	0/5	50	24VAC/DC	0-10 vdc	70	6mm push-on	IP54
EDT-10	0/10	50	24VAC/DC	0-10 vdc	70	6mm push-on	IP54
EDT-16	0/16	50	24VAC/DC	0-10 vdc	70	6mm push-on	IP54
EDT-25	0/25	50	24VAC/DC	0-10 vdc	70	6mm push-on	IP54
EDT..MA	Same as above but with 2 wire loop powered 4-20mA output.						
EDT..V	Same as above but with 3 digit LCD display. Not available for EDT-050.						
EDT..W	Weatherproof with IP65 enclosure						

DIMENSIONS:



EDT..W Dims = H125 x W125 x D75

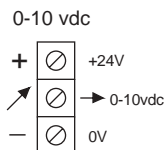
ACCESSORIES:

- EE-BFN** Brass duct flange for 6mm OD metal tube
- EE-D2** Duct kit 2m EE-PH + 2xEE-PT for EADP .. EDA..
- EE-PH** PVC hose 5x8mm. Order per metre
- EE-PT** 70mm Plastic duct adaptor for use with PVC hose
- EE-TE** Plastic T connector for use with PVC hose
- EE-TA** Plastic straight connector for use with PVC hose
- EE-TY** Plastic Y connector for use with PVC hose

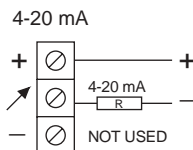


WIRING:

EDT..

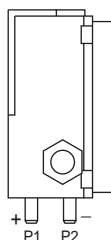


EDT..MA



Use minimum cable size of 7/0.2mm
 Max cable length 100m / 0-10vdc 300m / 4-20mA
 Screened cable is recommended.
 The screen should be earthed at controller end only.
 Keep away from power cables/units which may cause Interference.

INSTALLATION:



Mount vertically as shown. Mounting with lid facing down will increase the reading by approx. 0.1mbar.
 Mounting with lid facing up will decrease the reading by approx. 0.1mbar.

Port P1 + = High Pressure .. connect to fan discharge or high pressure side of filter.
 Port P2 - = Low Pressure .. connect to fan suction or low pressure side of filter.

The low pressure port can be left open for fan/air flow monitoring
 To monitor vacuum - connect the low pressure port to the high vacuum side.

CAUTION:

These devices are suitable for low voltage supply only.
 Isolate device from electrical supply before removing cover.
 Observe design limits of temperatures and pressures.
 Always ensure the device operates correctly. If failure of the device can cause damage a safety backup control should be fitted.
 All data is for guidance purposes only, subject to change without prior notice and not guaranteed to be absolutely correct unless confirmed by us in writing.

Device should be checked by a qualified technician before applying any voltage .
 Observe all relevant safety precautions, wiring/earthing regulations and electrical ratings.
 Ensure electrical entry hole is completely sealed for all IP65/weatherproof models.

