

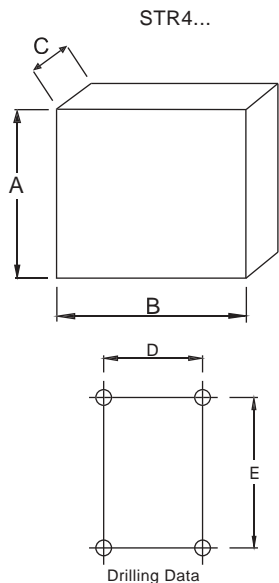
FAN SPEED CONTROLS 400VAC 3 PHASE 5 SPEED MANUAL OPERATION

STR4..

<p>■ These transformer controls vary the speed of fan motors via a 1-5 step manual selector knob on the front which decreases or increases the supply voltage to the motor. Before selecting a controller its compatibility must be ensured. Please read the Motor Selection Guide on a separate data sheet.</p>	 <p style="text-align: center; margin-top: 5px;">STR4 ..</p>	<p>Suitable for 2 or 3 wire motors. Start current can be 3 x nominal current. Several motors can be connected at once as long as the speed controller's maximum current is not exceeded. The maximum current is based on a maximum ambient temperature of 30°C. The selected Speed Controller's maximum current must be just larger than the nominal motor running current. When the unit is switched on and also when power is re-applied (with the speed control switch already in the on position), it will run up to the speed that is set by the knob position.</p>
--	---	--

Type	Nominal Current	Supply 50-60Hz	Start Sequence	Manual Speed Adjustment	Mounting	Case	Enclosure
STR-4-15-L10	1.5A	400Vac	Knob Position	5 Step	Wall	Metal	IP54
STR-4-25-L10	2.5A	400Vac	Knob Position	5 Step	Wall	Metal	IP54
STR-4-40-L10	4A	400Vac	Knob Position	5 Step	Wall	Metal	IP54
STR-4-60-L10	6A	400Vac	Knob Position	5 Step	Wall	Metal	IP54
STR-4-80-L10	8A	400Vac	Knob Position	5 Step	Wall	Metal	IP54
STR-4-110-L10	11A	400Vac	Knob Position	5 Step	Wall	Metal	IP54

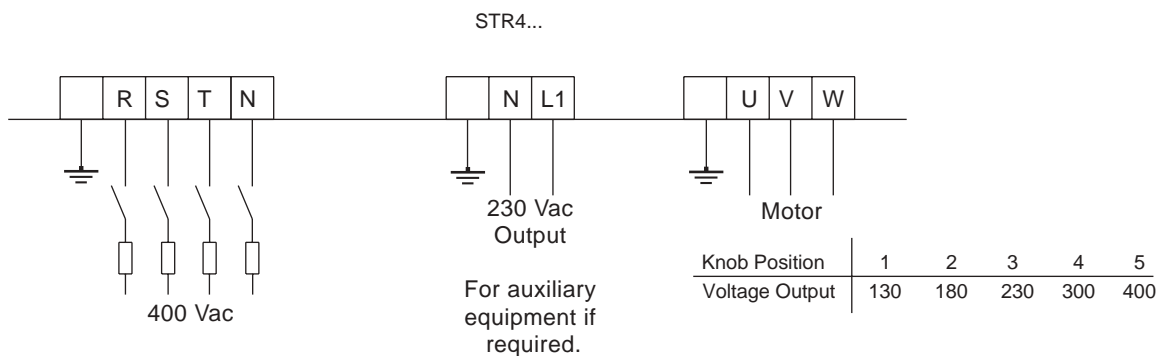
DIMENSIONS:



	A	B	C	D	E	Weight(kg)
STR-4-15/400	300	300	170	260	260	7
STR-4-25/400	300	300	170	260	260	9
STR-4-40/400	300	250	220	210	260	14
STR-4-60/400	400	300	220	260	360	20.5
STR-4-80/400	400	300	220	260	360	27.7
STR-4-110/400	430	400	270	360	360	31.7

Mount vertically to allow free ventilation around the unit

WIRING:



All cables, isolators & external fuses must be fitted according to local regulations & motor manufacturers safety requirements

CAUTION: These products may be connected to 400VAC supply. Isolate device from electrical supply before cover. Observe design limits of temperatures and electrical ratings. Always ensure the device operates at the correct electrical rating. If failure of the device can cause damage a safety backup control should be fitted. All data is for guidance purposes only, subject to change without prior notice and not guaranteed to be absolutely correct unless confirmed by us in writing.

The device should be checked by a qualified technician before applying any voltage. Observe all relevant safety precautions, wiring/earthing regulations & electrical ratings. Ensure all entry holes are completely sealed for all IP65/weatherproof models.

