

AIR DIFFERENTIAL PRESSURE SWITCHES

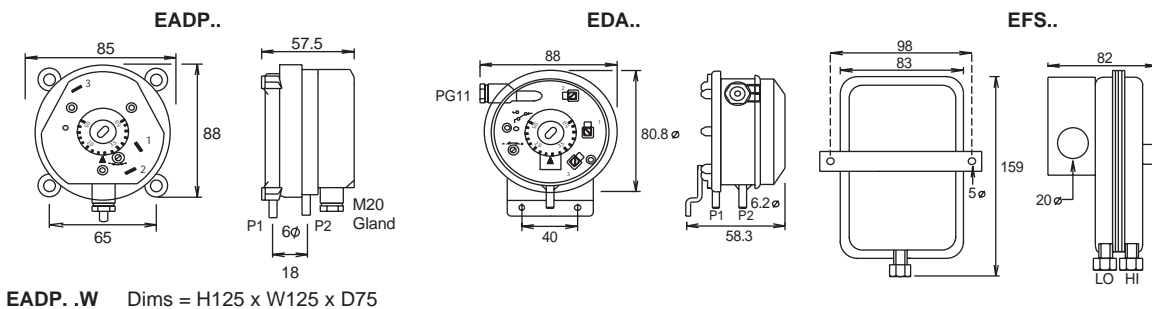
EDA.. EADP.. EFS..

■ To monitor air flow, dirty filters, flue draught, frost on coils & level. For positive, negative, vacuum & differential pressure. Suitable for non-corrosive, non-combustible air/gases.

Adjustment under cover Volt free contacts
 Enclosure EDA.. EADP.. : Plastic
 EFS.. : Steel zinc plated
EFS-02HT - High Temperature model includes -
 2 x Brass Duct Adaptors for 6mm OD metal tube.
 Ensure that the pressure line is at least 1m long.
 Conversion : mbar x 100 = Pa Max. ambient 70°C
 Enclosure Flammability:
 EDA.. EADP = UL94-V0
 EADP..W = UL94-V2
 EFS.. = Metal

| Type | Range mbar | Diff mbar approx | Max Press. mbar | 230VAC SPDT | Media Temp °C | Diaphragm Material | Pressure Connections | Enclosure |
|-----------------|------------|------------------|-----------------|-------------|---------------|--------------------|----------------------|-----------|
| EDA-22 | 0.2/3 | 0.1/0.4 | 50 | 1(0.5)A | -20/+85 | Silicone | 6mm push-on | IP54 |
| EDA-33 | 0.5/5 | 0.2/0.7 | 50 | 1(0.5)A | -20/+85 | Silicone | 6mm push-on | IP54 |
| EDA-44 | 1/10 | 0.3/1 | 50 | 1(0.5)A | -20/+85 | Silicone | 6mm push-on | IP54 |
| EDA-55 | 5/20 | 0.5/2 | 50 | 1(0.5)A | -20/+85 | Silicone | 6mm push-on | IP54 |
| EADP-2 | 0.2/2 | 0.2 | 50 | 1.5 (0.4)A | -20/+85 | Silicone | 6mm push-on | IP54 |
| EADP-5 | 0.5/5 | 0.2 | 50 | 1.5 (0.4)A | -20/+85 | Silicone | 6mm push-on | IP54 |
| EADP-10 | 2/10 | 1 | 50 | 1.5 (0.4)A | -20/+85 | Silicone | 6mm push-on | IP54 |
| EADP-25 | 5/25 | 1.5 | 50 | 1.5 (0.4)A | -20/+85 | Silicone | 6mm push-on | IP54 |
| EADP-2W | 0.2/2 | 0.2 | 50 | 1.5 (0.4)A | -20/+85 | Silicone | 6mm push-on | IP65 |
| EADP-5W | 0.5/5 | 0.2 | 50 | 1.5 (0.4)A | -20/+85 | Silicone | 6mm push-on | IP65 |
| EADP-10W | 2/10 | 1 | 50 | 1.5 (0.4)A | -20/+85 | Silicone | 6mm push-on | IP65 |
| EFS-02 | 0.13/30 | 0.05/2 | 35 | 10(2)A | 80 | Nitrile | 6mm comp. | IP30 |
| EFS-02HT | 0.13/30 | 0.05/2 | 35 | 10(2)A | 300 | Nitrile | 6mm comp. | IP30 |

DIMENSIONS:



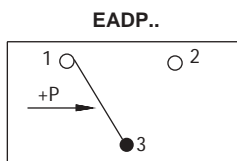
EADP..W Dims = H125 x W125 x D75

ACCESSORIES:

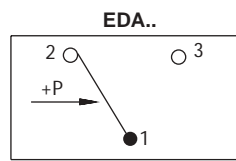
- EE-BFN** Brass duct flange for 6mm OD metal tube
- EE-CT6** Copper tube 6mm OD x 10m for EFS..
- EE-D1** Duct kit 2m EE-PH + 2xEE-PT for EFS-02
- EE-D2** Duct kit 2m EE-PH + 2xEE-PT for EADP .. EDA..
- EE-PH** PVC hose 5x8mm. Order per metre
- EE-PT** 70mm Plastic duct adaptor for use with PVC hose
- EE-TE** Plastic T connector for use with PVC hose
- EE-TA** Plastic straight connector for use with PVC hose
- EE-TY** Plastic Y connector for use with PVC hose



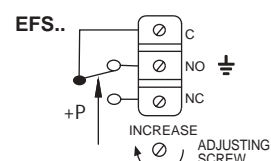
WIRING:



On pressure rise to scale setting (range) contacts 3-2 close.
 On pressure fall (diff.) contacts 3-1 close



On pressure rise to scale setting (range) contacts 1-3 (C-NO) close.
 On pressure fall (diff.) contacts 1-2 (C-NC) close.



INSTALLATION:

Port + P1 HI = High Pressure .. connect to fan discharge or high pressure side of filter.
 Port - P2 LO = Low Pressure .. connect to fan suction or low pressure side of filter.
 The LP Port can be left open for fan/air flow monitoring. To monitor vacuum - connect the low pressure port to high vacuum side.
 Mount vertically as shown. Units can be mounted in other positions but may need a slightly higher pressure to operate.

CAUTION:

These products may be connected to 230VAC supply. Isolate device from electrical supply before removing cover. Observe design limits of temperatures and pressures. Always ensure the device operates correctly. If failure of the device can cause damage a safety backup control should be fitted. All data is for guidance purposes only, subject to change without prior notice and not guaranteed to be absolutely correct unless confirmed by us in writing.

Device should be checked by a qualified technician before applying any voltage. Observe all relevant safety precautions, wiring/earthing regulations and electrical ratings. Ensure electrical entry hole is completely sealed for all IP65/weatherproof models.

