

BRC.. ESS..

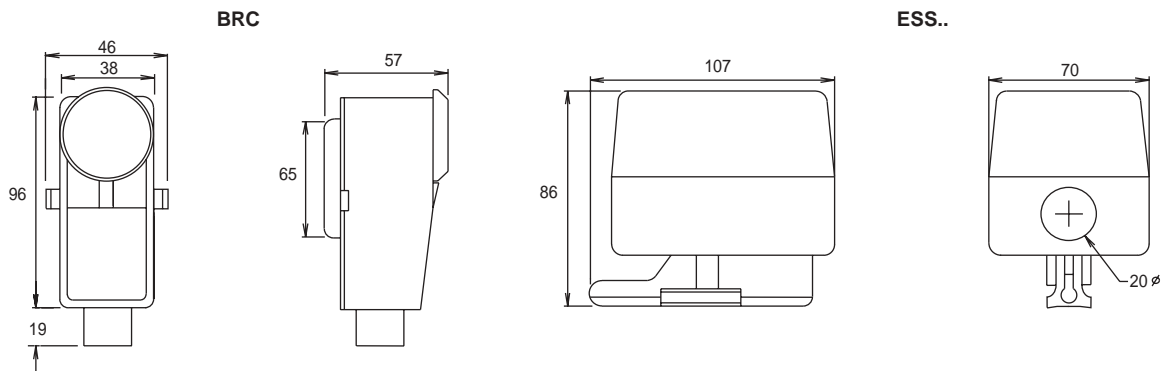
■ These products can be used to monitor the temperature of liquids in pipes and cylinders.



Volt free contacts
 ESS.. Adjustment under the cover
 Terminals 0.5-2.5mm²
 Enclosure Flammability: BRC=UL94-HB
 ESS=UL94-V0

Type	Range °C	Diff. °C	230VAC SPDT	Max. Bulb Temp. °C	Enclosure
BRC	20/90	5	15(3)A	120	IP30
ESS-1	-25/+45	2	10(3)A	70	IP43
ESS-2	0/70	2	10(3)A	90	IP43
ESS-32	35/95	4	15(5)A	115	IP43
ESS-3	50/130	6	15(5)A	130	IP43
ESS-42	30/65	Hand reset open high	15(5)A	90	IP43
ESS-4	60/95	Hand reset open high	15(5)A	115	IP43

DIMENSIONS:



ACCESSORIES:

FIXING STRAP FOR BRC



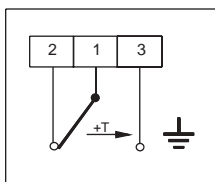
FIXING STRAP FOR ESS



FIXING STRAP ADJUSTABLE UP TO 150MM DIA. IS INCLUDED.
 LONGER FIXING STRAPS ARE AVAILABLE ON REQUEST.

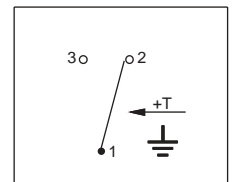
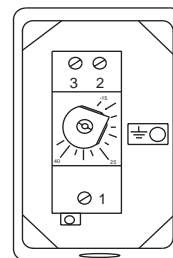
WIRING:

BRC



Contacts 1-3 close on temperature rise.
 Contacts 1-2 close on temperature fall.

ESS..



Contacts 1-3 close on temperature rise.
 Contacts 1-2 close on temperature fall.

Open high = Contact 1-2 opens on temperature rise. Temp must fall to allow resetting.

INSTALLATION: Fix the thermostat securely to the pipe. The ambient temperature around the sensor can affect the switching point.

CAUTION:

These products may be connected to 230VAC supply.
 Isolate device from electrical supply before removing cover.
 Observe design limits of temperatures.
 Always ensure the device switches at the correct temperature. If failure of the device can cause damage a safety backup control should be fitted.
 All data is for guidance purposes only, subject to change without prior notice and not guaranteed to be absolutely correct unless confirmed by us in writing.

Device should be checked by a qualified technician before applying any voltage.
 Observe all relevant safety precautions, wiring /earthing regulations and electrical ratings.

