

# ROOM THERMOSTATS 1 STAGE

## TA-2.. PTR01..

These products can be used to monitor the temperature inside buildings and switch heating, cooling or other units. These units are tamperproof.



**TA-2**  
Adjustable limit stops under the cover  
Main adjustment via knob.  
Backplate for 1 gang BS box is included.

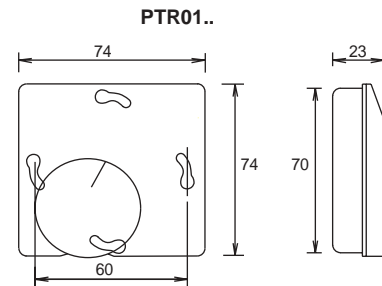
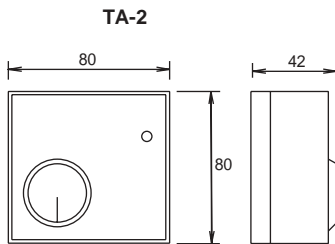
**PTR01-010 / 045 / 048**  
Knob adjustment only.  
Range and limit stops provided.  
Order backplate separately.  
Enclosure Flammability = UL94-V0

**PTR01-910**  
Adjustment under the cover.

Type	Stages	Range °C	Diff °C approx	230VAC	Function	Function	Sensing Element	Enclosure
TA2	1	5/30	1	SPDT 10(2.5)A	Volt Free Contacts	Htg or Clg	Bellows	IP20
PTR01-045	1	-20/+30	0.5	SPDT 10(3)A	-	Htg or Clg	Bimetal	IP30
PTR01-010	1	5/30	0.5	SPDT 10(3)A	-	Htg or Clg	Bimetal	IP30
PTR01-048	1	10/60	0.5	SPDT 10(3)A	-	Htg or Clg	Bimetal	IP30
PTR01-910*	1	5/30	0.5	SPDT 10(3)A	-	Htg or Clg	Bimetal	IP30

\*Concealed adjustment.

### DIMENSIONS:



**ACCESSORIES:**  
**EG-1000** Stat Guard Internal Dims 133 H x 155 W x 70 D  
**EG-2000** Stat Guard Internal Dims 102 H x 123 W x 60 D  
**EG-3000** Stat Guard Internal Dims 123 H x 196 W x 70 D

High impact polycarbonate, virtually unbreakable. Supplied with lock & key

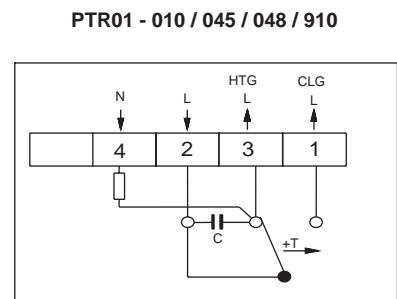
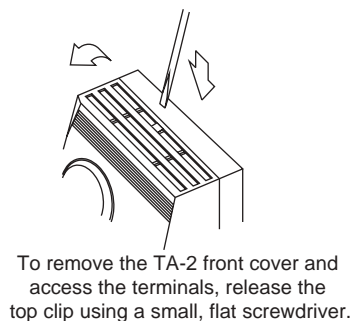
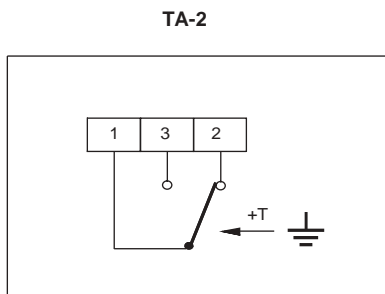


**EE-BP2** Backplate for PTR01.. will fit square or round outlet boxes.

**EG..**

**EE-BP2**

### WIRING:



**INSTALLATION:** Install at a height of approx. 1.5m  
Keep away from radiators, direct sunlight & other heat sources.

**CAUTION:** These products may be connected to 230VAC supply. Isolate device from electrical supply before removing cover. Observe design limits of temperatures. Always ensure the device switches at the correct temperature. If failure of the device can cause damage a safety backup control should be fitted.  
Device should be checked by a qualified technician before applying any voltage. Observe all relevant safety precautions, wiring/earthing regulations and electrical ratings.

