

SENSORS / ADJUSTERS / DISPLAYS FOR ETE..THERMOSTATS / E13..CONTROLLERS

E10..

■ NTC sensors, adjusters & displays for use with ETE.. Electronic Thermostats / Thermometers & E13.. Temperature Controllers.

Enclosure Flammability:
E10- D, I, S, X = UL94-V0
E10- H, R, V = UL94-HB
E10-T = UL94-V2

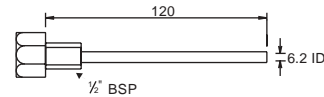


Type	Function	Description	Dimensions	Protection
E10-B	Bead sensor	With 2 way terminal strip	–	IP00
E10-C	Cable sensor	With 2m cable	Sensor 7.1 mm dia x 40	IP65
E10-D	Duct sensor	Probe length 160mm	Approx 80 dia x 55	IP65
E10-DA	Duct Averaging	Probe length 160mm (use 2 x E10-DA for averaging)	Approx 80 dia x 55	IP65
E10-GS	Thimble sensor	Stainless Brushed Satin with 200mm cable. Drill hole 12 dia.	Dome dia 15 x 16.5 L	IP30
E10-GB	Thimble sensor	Brass with 200mm cable. Drill hole 12 dia.	Dome dia 15 x 16.5 L	IP30
E10-GW	Thimble sensor	White with 200mm cable. Drill hole 12 dia. Other colours on request	Dome dia 15 x 16.5 L	IP30
E10-H	Black bulb sensor	For radiant tube heaters	85H x 85W x 30D + bulb 16 mm	IP30
E10-I	Immersion sensor	ORDER POCKET SEPARATELY Probe length 120mm	Approx 80 dia x 55	IP65
E10-K	Fan coil sensor	With duct flange & 2m cable	Duct tube 80mm long	IP65
E10-R	Room sensor	Can be mounted on square or round outlet box.	85H x 85W x 30D	IP30
E10-RA	Room sensor	As E10-R (use 2 x E10-RA for averaging)	85H x 85W x 30D	IP30
E10-S	Strap-On sensor	Includes fixing strap for up to 6" dia. Pipe. 2m cable	Approx 80 dia x 55	IP65
E10-V	Room sensor + Knob	With knob adj ±4°C above & below main set point knob setting	85H x 85W x 30D + knob	IP30
E10-X	Outside sensor	Weatherproof	Approx 80 dia x 55	IP65
E10-P50	Setpoint adjuster	-10/+50°C Front panel mounting	48H x 48W	
E10-P95	Setpoint adjuster	25/95°C Front panel mounting	48H x 48W	
E10-P4	Setpoint adjuster	±4°C Front panel mounting. For minor adjustment of main set point knob setting	48H x 48W	
E10-T	Digital display	Selectable -10/+50°C or 25/95°C 230VAC supply. Front panel mounting 48H x 96W x 104D Only for use with ETE.. Thermostats or E13.. Temperature Controllers	Panel cut-out 44H x 91W	IP00

OPTIONAL E10-T.. ONLY L24 = 24VAC supply

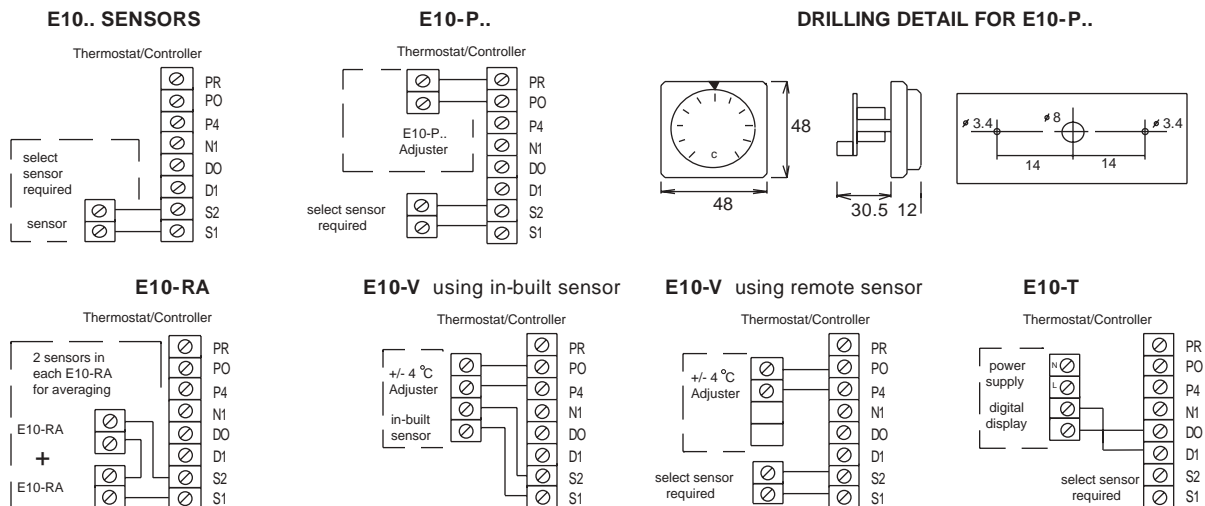
Temperature °C:	-10	-5	0	5	10	15	20	25	30	35	40	45	50	55	60	65	70	75	80	85	90	95
Resistance KΩ:	54	40	30	25	20.5	15.2	12	10	7.8	6.2	5	4	3.3	2.7	2.2	2	1.6	1.4	1.1	1	0.9	0.8

- ACCESSORIES:** **EE-2B** ½" BSP x 120mm Brass pocket for E10-I
EE-STK ½" BSP x 120mm Stainless Steel pocket for E10-I



Special Face Plates are available in Brass, White, Satin and others on request
 Sensors with adjustment and fan speed switch are available on request.

WIRING:



INSTALLATION: Terminals 0.5 -2.5mm² Sensor cable size 7/0.2mm Keep away from power cables/units which may cause interference. Max length 100m. Screened cable is recommended. The screen should be earthed at the controller end only.

CAUTION: The E10-T.. may be connected to 230VAC supply. Isolate device from electrical supply before servicing. Device should be checked by a qualified technician before applying any voltage. Observe all relevant safety precautions, wiring/earthing regulations and electrical ratings. Observe design limits of temperatures. Ensure electrical entry hole is completely sealed for all IP65/weatherproof models. Always ensure the device switches at the correct temperature. If failure of the device can cause damage a safety backup control should be fitted. All data is for guidance purposes only, subject to change without prior notice and not guaranteed to be absolutely correct unless confirmed by us in writing.

