

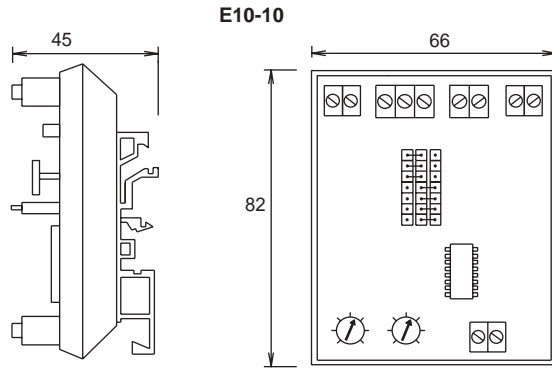
TRANSMITTER SETPOINT CONTROLLER 0-10VDC / 4-20mA IN 0-10VDC OUT

E10-10

<p>■ This product can be used with pressure, temperature, humidity, flow or level transmitters. By connecting the transmitter output into this controller a setpoint can be adjusted and a 0-10VDC output will be produced over the desired proportional band.</p>	 <p style="text-align: center; font-size: small;">E10-10</p>	<p>Input current > 0.5mA Max Ambient -10/+50°C Flammability = UL94-V0</p>
--	---	--

Type	Setpoint Range	Proportional Band	Input	Output	Supply ±15%	Consumption	Mounting	Enclosure
E10-10	0-100%	0-50%	0-10VDC or 4-20mA	0-10VDC	24VAC/DC	32mA	Din Rail	IP00

DIMENSIONS:



EXAMPLES:

E10-10 used with a pressure transmitter ie range 0-16 bar & 0-10vdc output.

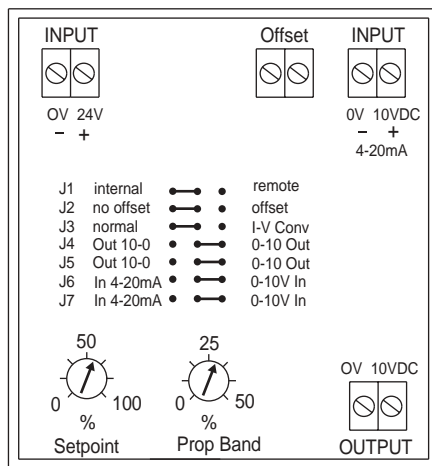
A setpoint of 50% represents 8 bar. A prop band of 10% represents 1.6 bar (10% of the range) J4 & J5 link on 0-10. Therefore the output will be 0-10vdc linear over the range from 8 bar 0vdc to 9.6 bar 10vdc. If J4 & J5 link is on 10-0 then the output will be 0-10vdc linear over the range from 8 bar 0vdc to 6.4 bar 10vdc.

E10-10 used with a humidity transmitter ie range 0-100% RH & 0-10vdc output.

A setpoint of 40% represents 40% RH. A prop band of 20% represents 20% RH (20% of the range) J4 & J5 link on 0-10. Therefore the output will be 0-10vdc linear over the range from 40% RH 0vdc to 60% RH 10vdc. If J4 & J5 link is on 10-0 then the output will be 0-10vdc linear over the range from 40% RH 0vdc to 20% RH 10vdc.

WIRING:

E10-10



- J1 Fit link to internal
- J2 To select remote setpoint offset ±5% or no offset
- J3 Select I-V Conv to convert a 4-20mA input signal directly to 0-10VDC Output. The setpoint adj has no effect in this mode.
- J4 & J5 Set both to 0-10 with rising input above the setpoint, the output also rises.
Set both to 10-0 with falling input below the setpoint, the output rises.
- J6 & J7 Set both to 4-20mA or 0-10V to select the input signal

INSTALLATION:

Terminals 0.5-2.5mm² rising clamps
Screened cable is recommended
Keep sensor/control signal wires away from power cables/units which may cause interference.

Min sensor / control signal cable size 7/0.2mm
The screen should be earthed at controller end only

CAUTION:

These devices are suitable for low voltage supply only. Isolate device from electrical supply before removing cover. Observe precautions for handling electrostatic sensitive devices. Always ensure the device operates correctly. If failure of the device can cause damage a safety backup control should be fitted. All data is for guidance purposes only, subject to change without prior notice and not guaranteed to be absolutely correct unless confirmed by us in writing.

Device should be checked by a qualified technician before applying any voltage. Observe all relevant safety precautions, wiring/earthing regulations and electrical ratings.

