

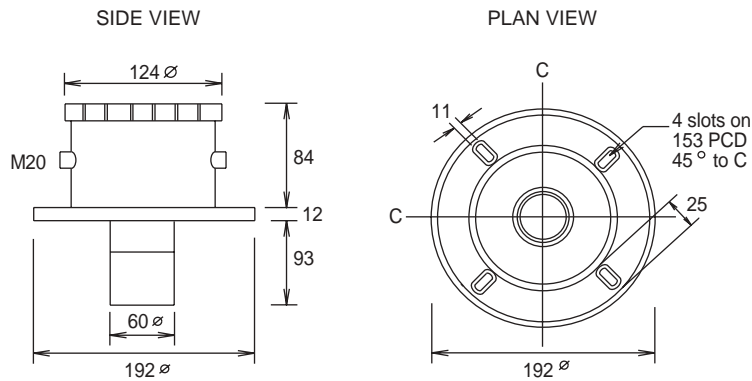
# LIQUID LEVEL TRANSMITTER 4-20mA ULTRASONIC

ELU-8

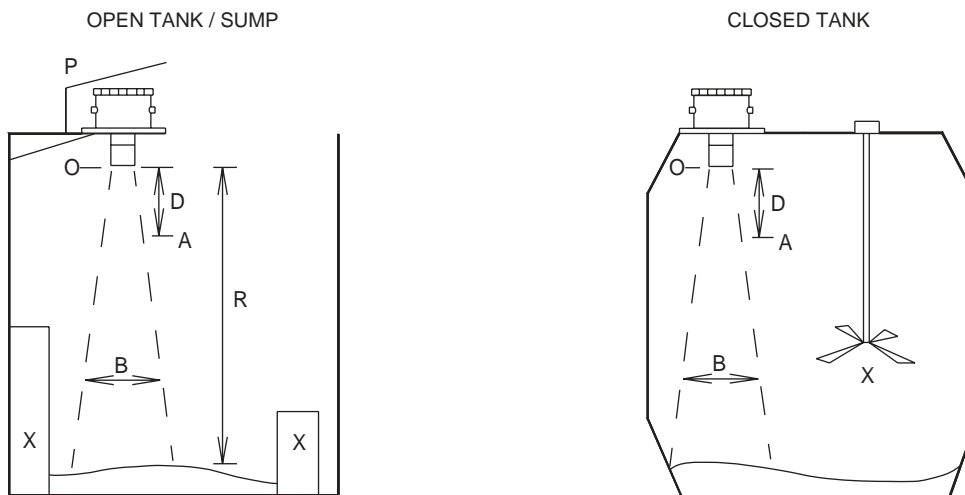
<p>Used to measure fluid depth or target distance in tanks or sumps / slurries. The unit produces a 4-20mA output signal linear across the desired measuring range. Suitable for use with BMS systems. The unit eliminates spurious echoes and ensures a steady output.</p>	 <p>ELU-8</p>	<p>Accuracy 0.25% of measuring range.          Pressure -0.25 / +2 bar          Programmable display : 4 digit concealed          Flange mounting : DN80 PN16, BS10 TABLE D 3", ANSI 3".          Load at 24VDC 250Ω          Ultrasonic cone angle 12°          Materials : UPVC, Polypropylene          The unit is not suitable for use with any media that has visible fumes.</p>
---	--	---

Type	Measuring Range	Operating Temp °C	Span Min	Resolution	Supply ± 15%	Output 2 wire	Max Power	Protection
ELU-8	0.5 / 8m	-10/+60	100mm	1mm	24VDC	4-20mA loop	0.5W	IP68

**DIMENSIONS:**



**INSTALLATION:**



- O : Origin of measurement. All measurements (distances / depths) are taken from O.
- D : Dead band 500mm.
- A : Max media height for signal range. If measurement is required to the top of the tank, mount the transmitter 500mm higher.
- P : Protect the unit from sunlight.
- B : Beam width 0.21 x Range (R)
- X : Beam must not touch any obstacles. Ensure that the beam path is uninterrupted.

**Mounting :**

- OPEN TANK – Mount at least 0.5m above the highest media level and 105mm away from walls for every 1m of media depth.
- CLOSED TANK – Mount at least 0.5m above the highest media level. Do not mount the unit in the centre of the tank to monitor powder or granules etc. which can form into a cone shape and give inaccurate readings - in this case the unit should be mounted close to the edge as shown.

Use plastic mounting bolts. Do not over-tighten as this may cause acoustic coupling to the mounting and give false readings. The transmitter must be mounted on the gasket supplied.

**CAUTION:** These devices are suitable for low voltage supply only. Device should be checked by a qualified technician before applying any voltage. Ensure electrical entry hole is completely sealed for all IP65/weatherproof models. Observe precautions for handling electrostatic sensitive devices. Observe all relevant safety precautions, wiring/earthing regulations and electrical ratings. Observe design limits of temperatures. Always ensure the device operates at the correct temperature. If failure of the device can cause damage a safety backup control should be fitted. All data is for guidance purposes only, subject to change without prior notice and not guaranteed to be absolutely correct unless confirmed by us in writing.

