

# WIND SPEED & DIRECTION SENSOR 0-10 VDC

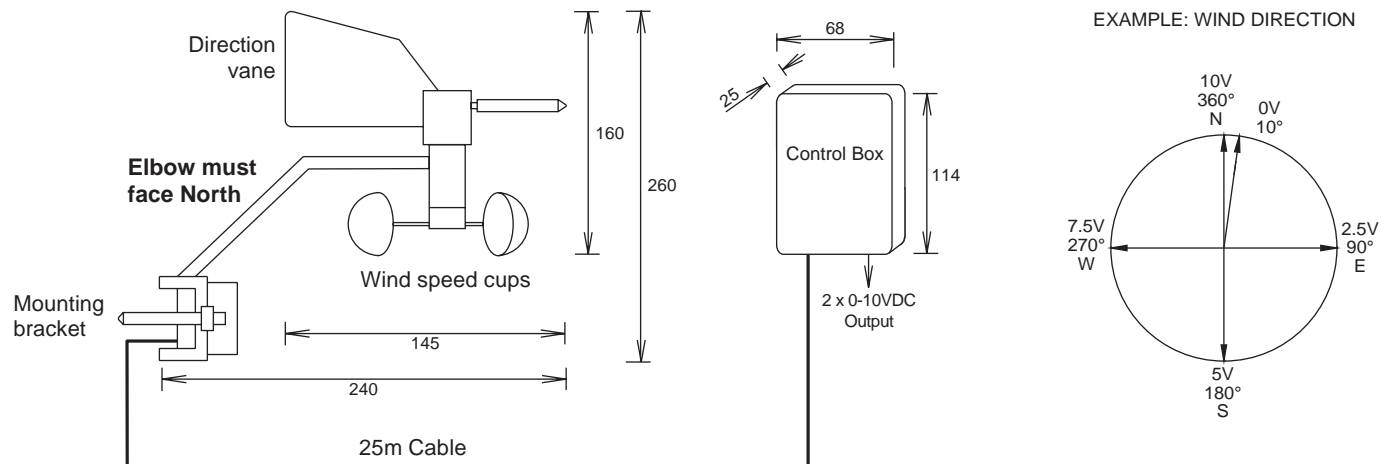
## EWSD-10

<p>■ This product is suitable for measuring wind speed, wind direction or both. It can be used for automatic window closure in high wind conditions or general monitoring applications with BMS systems.</p> <p>The 0-10vdc output signal is linear for both wind speed &amp; direction.</p>	 <p style="text-align: center;">EWSD-10</p>	<p>Max Ambient -20/+70°C</p> <p>A bracket is provided suitable for mounting onto a mast of diameter between 30 - 50mm.</p> <p>Flammability: Anodised aluminium alloy UPVC &amp; Stainless Steel assembly with polypropylene cups.</p> <p>Electrical connection 25m 4-core screened cable supplied as standard. This can be extended up to 200m Max. Consumption 40mA Max.</p>
--	---	---

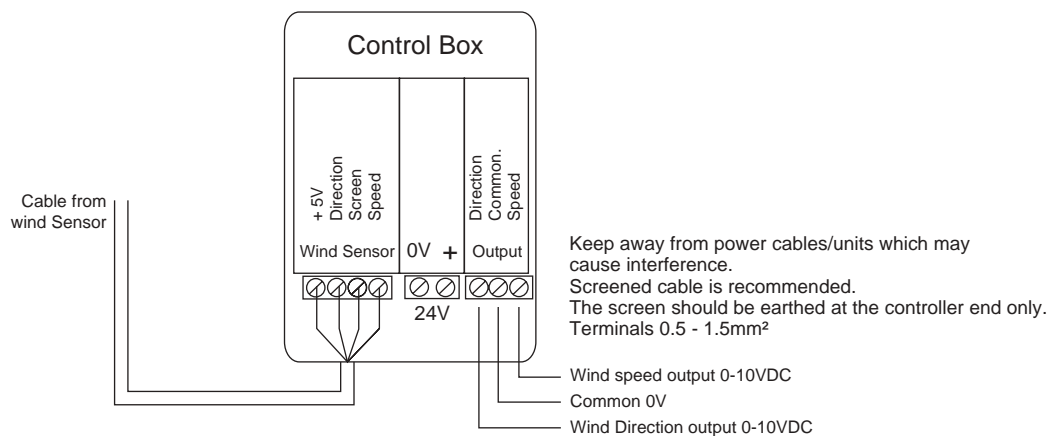
Type	Application	Supply ±15%	Range	Output 2 x 0-10VDC	Start Speed Approx.	Typical Accuracy	Resolution	Protection
<b>EWSD-10</b>	Wind Speed	24VAC/DC	0 - 50 m/s	0 - 10VDC	<0.5 m/s	±5% or 1.5 m/s	< 0.5 m/s	IP65 Sensor
	Direction		0 - 360°	0V = 10° 5V = 180° (South) 10V = 360° (North)	<0.5 m/s	5° typical (10° worst)	< 1°	IP30 Control Box

Speed measurement - Hall Effect solid state magnetic switch activated by magnets in the cup rotor.

### DIMENSIONS:



### WIRING :



Supplied with the control box which converts the sensor signal to a standard 0-10 volt output signal.

### INSTALLATION:

The unit should be mounted to a mast with a diameter of between 30-50 mm with the supplied V-shaped clamp and bracket. Situate the unit in a clear site which is most representative of the area to be monitored. Avoid extremes i.e. hilltops which may indicate increased wind speeds, or valleys and in close proximity to trees and buildings which may indicate decreased wind speeds due to shielding. Several sensor heads can be installed to give spatial coverage and thus achieving more precise results. Ensure the elbow points NORTH using a compass or gently rotate the vane until 0° or 357° is indicated on a suitable measuring instrument, as this will represent North. Fix and tighten the bracket at this position.

### CAUTION:

These devices are suitable for low voltage supply only. Device should be checked by a qualified technician before applying any voltage. Observe design limits of temperatures/electrical ratings. Observe all relevant safety precautions, wiring/earthing regulations and electrical ratings. Always ensure the device operates correctly. If failure of the device can cause damage a safety backup control should be fitted. All data is for guidance purposes only, subject to change without prior notice and not guaranteed to be absolutely correct unless confirmed by us in writing.